

# DAYTON<sup>®</sup>

## SPECIFICATIONS

### Dayton<sup>®</sup> Undermount Single Bowl Sink Model DXUH2115 Series

#### GENERAL

Sink is formed of #18 (1.2mm) gauge, 300 series nickel bearing stainless steel. Undermount.

#### DESIGN FEATURES

Bowl Depth: 8" (203mm).

Underside: Sound dampening pads with spray undercoating to dampen sound and reduce condensation.

Finish: Exposed surfaces are polished to a Radiant Satin finish.

#### OTHER

Drain Opening: 3-1/2" (89mm).

NOTE: All Dayton undermount sinks are designed to affix easily to the underside of any solid surface countertop.

#### OPTIONAL ACCESSORIES

Bottom Grid: GBG2115SS

Drain: D1125

Cutting Board: CB1516 (sink must be installed with a 1/2" reveal for cutting board to fit properly).

Rinsing Basket: LKWRB2115SS, LKWERBSS

Utensil Caddy: LKWUCSS

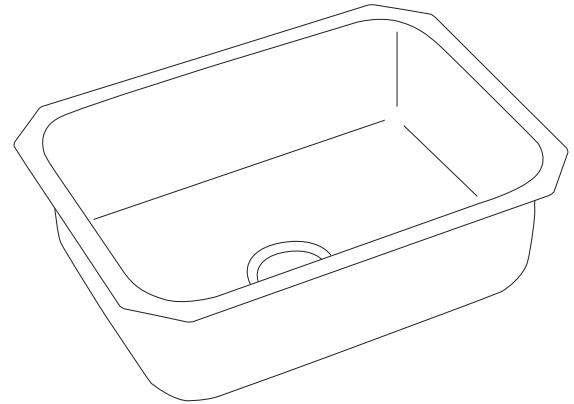
Mounting Clip: LKUCLIP8

Template: 64180282

Sink complies with ASME A112.19.3/ CSA B45.4



Sinks are listed by IAPMO<sup>®</sup> as meeting the applicable requirements of the Uniform Plumbing Code<sup>®</sup>, International Plumbing Code<sup>®</sup>, and National Plumbing Code of Canada.



Model DXUH2115



#### SINK KIT

DXUH2115DF includes: (1) Sink - DXUH2115, (1) Faucet - LK1501CR, and (1) Drain.

DXUH2115DFBG includes: (1) Sink - DXUH2115, (1) Faucet - LK5000CR, (1) Bottom Grid - GBG2115SS, and (1) Drain.

#### FAUCET FEATURES

LK1501CR

- Chrome finished, single-lever kitchen faucet with side spray.
- Flexible supply tubes with 1/2" (13mm) male IPS adapters.
- Two 1 3/8" diameter faucet holes required.

LK5000CR

- Chrome finished, single-lever kitchen faucet with pull-down spray.
- Braided stainless steel supply lines.
- Three 1 3/8" diameter faucet holes required.

Max counter thickness: 2.5" (63mm).

Faucets comply with: ADA, ANSI/NSF61, ASME A112.18.1/CSA B125.1, cUPC, CA AB1953

Faucet flow rate: 1.5 GPM/5.7 L/min at 60 P.S.I.G.

#### BOTTOM GRID FEATURES

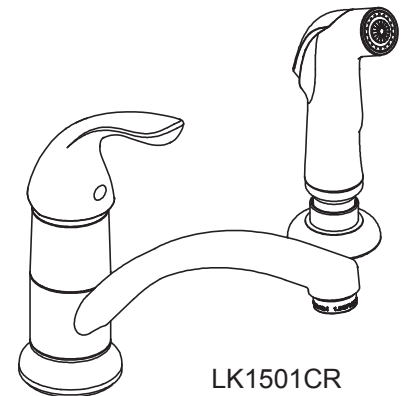
Nickel-bearing stainless steel

Bright finish

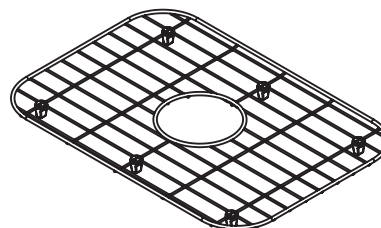
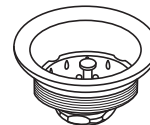
#### DRAIN FEATURES

Stainless steel body and strainer.

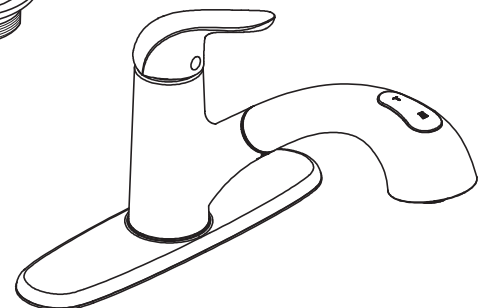
Fits 3-1/2" (89mm) opening.



LK1501CR



GBG2115SS



LK5000CR

*In keeping with our policy of continuing product improvement, Elkay reserves the right to change product specifications without notice. Please visit [elkayusa.com](http://elkayusa.com) for most current version of Elkay product specification sheets.*

*This specification describes an Elkay product with design, quality and functional benefits to the user. When making a comparison of other producers' offerings, be certain these features are not overlooked.*

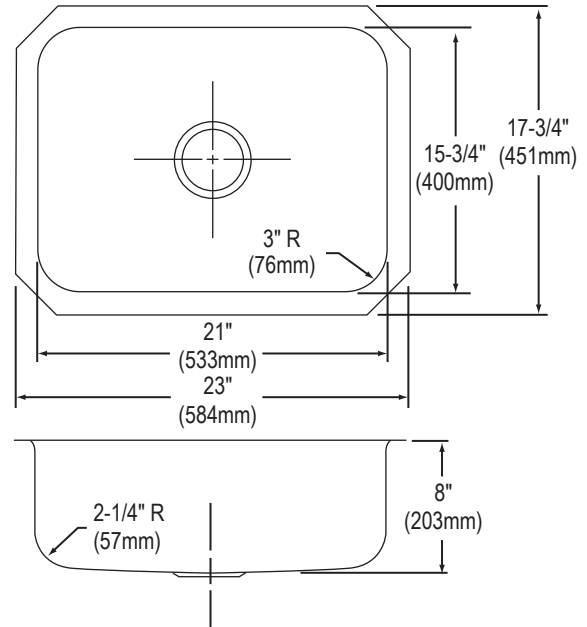
# DAYTON® SPECIFICATIONS

## Dayton® Undermount Single Bowl Sink Model DXUH2115 Series

### SINK DIMENSIONS (INCHES)\*

Model Number	Overall		Inside Bowl			Minimum Cabinet Size
	L	W	L	W	D	
DXUH2115	23 (584mm)	17-3/4 (451mm)	21 (533mm)	15-3/4 (400mm)	8 (203mm)	27 (686mm)

\*Length is left to right. Width is front to back.



Model DXUH2115 Illustrated

### Electronic Dual Template Mounting Option (Download DXF File from [www.elkayusa.com](http://www.elkayusa.com))

