

# DAYTON SPECIFICATIONS

## Dayton® DXR Series Sink Models DXR2522, DXR3322 and DXR250R

### GENERAL

Sink is formed of #18 gauge, type 301 series, nickel-bearing stainless steel. Top mount.

### DESIGN FEATURES

Bowl Depth: 8-1/8" (206mm) (DXR250R), 8-3/16" (208mm) (DXR2522, DXR3322).

Coved Corners: 3" (76mm) vertical and 2-1/4" (57mm) horizontal radius.

Faucet Deck: Raised 5/64" (2mm) (DXR2522, DXR3322).

Finish: Exposed surfaces are polished to a satin finish.

Underside: Fully undercoated.

### OTHER

Drain Opening: 3-1/2" (89mm).

Note: Unless otherwise specified, sink is furnished with 4 faucet holes as shown.

### OPTIONAL ACCESSORIES

Bottom Grid: GBG1318SS (DXR250R) (large bowl), GBG1415SS (DXR3322, DXR250) (small bowl), GBG2115SS (DXR2522)

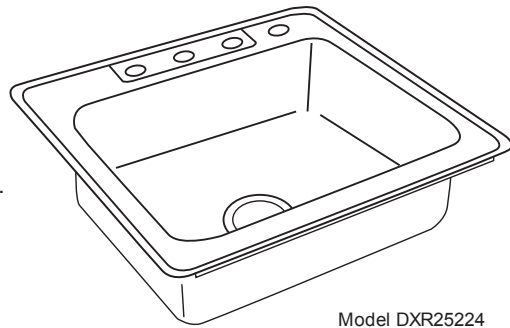
Cutting Board: CBR1316 (DXR250R) (large bowl), CB1516 (DXR2522, DXR250R) (small bowl)

Drain: LK35, D1125

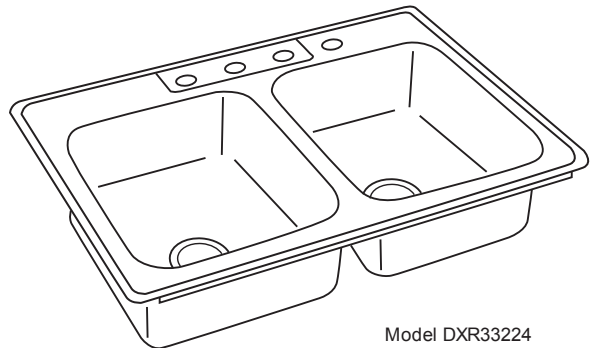
Sink complies with ASME A112.19.3-2008 / CSA B45.4-08.



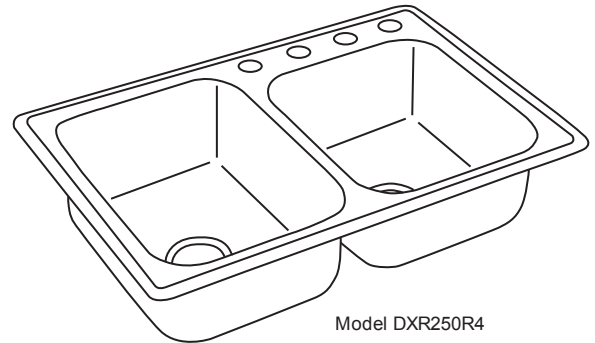
These sinks are listed by the International Association of Plumbing and Mechanical Officials as meeting the requirements of the Uniform Plumbing Code and the National Plumbing Code of Canada.



Model DXR25224



Model DXR33224

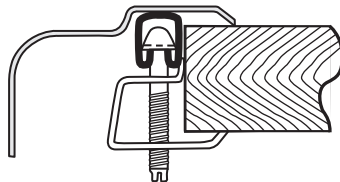


Model DXR250R4

### U-Channel Type Mounting System



**SINKS ARE  
MADE IN THE USA**



### SINK DIMENSIONS (INCHES)\*

Model Number	Overall		Inside Each Bowl I			Cutout in Countertop (1½" (38mm) Radius Corners)		No. of 1½" (38mm) Dia. Faucet Holes 4" (102mm) Centers	Minimum Cabinet Size			
	L	W	Left			L	W					
			L	W	D							
DXR2522	25 (635mm)	22 (559mm)	21 (533mm)	15¼ (400mm)	8 <sup>3/16</sup> (208mm)	24¾ (619mm)	21¾ (543mm)	1, 2, MR2, 3, 4, or 5	30 (762mm)			
DXR3322	33 (838mm)	22 (559mm)	14 (356mm)	15¼ (400mm)	8 <sup>3/16</sup> (208mm)	32¾ (822mm)	21¾ (543mm)	1, 2, MR2, 3, 4, or 5	36 (914mm)			
Model Number	Overall		Inside Each Bowl I			Cutout in Countertop (1½" (38mm) Radius Corners)		No. of 1½" (38mm) Dia. Faucet Holes 4" (102mm) Centers	Minimum Cabinet Size			
	L	W	Left		Right		L			W		
			L	W	L	W						
DXR250R	33 (838mm)	22 (559mm)	13½ (343mm)	18 (457mm)	8½ (206mm)	14 (356mm)	15¼ (400mm)	8½ (206mm)	32¾ (822mm)	21¾ (543mm)	1, 2, S2, 3, or 4	36 (914mm)

\*Length is left to right. Width is front to back.

In keeping with our policy of continuing product improvement, Elkay reserves the right to change product specifications without notice.

This specification describes an Elkay product with design, quality and functional benefits to the user. When making a comparison of other producers' offerings, be certain these features are not overlooked.

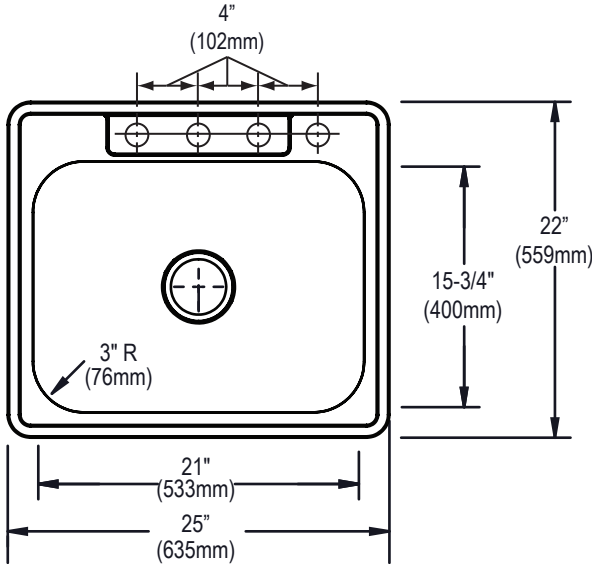
**Elkay**

elkayusa.com

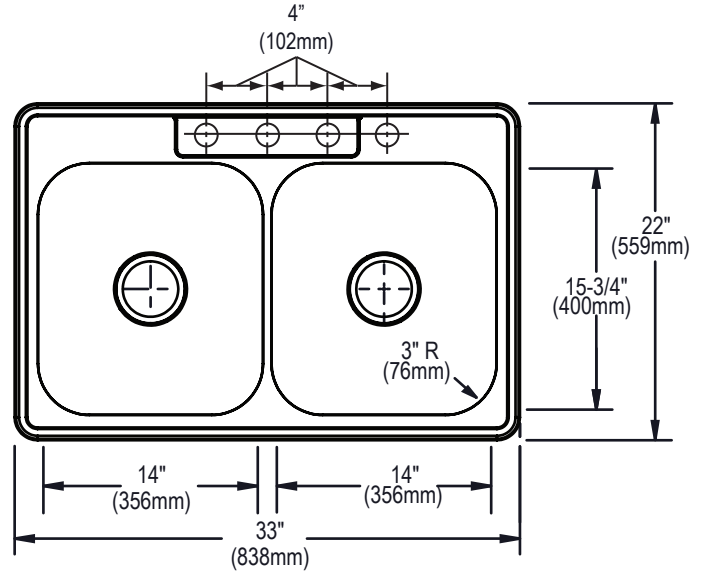
2222 Camden Court  
Oak Brook, IL 60523

Printed in U.S.A.  
©2011 Elkay

(Rev. 6/11) 2-34D



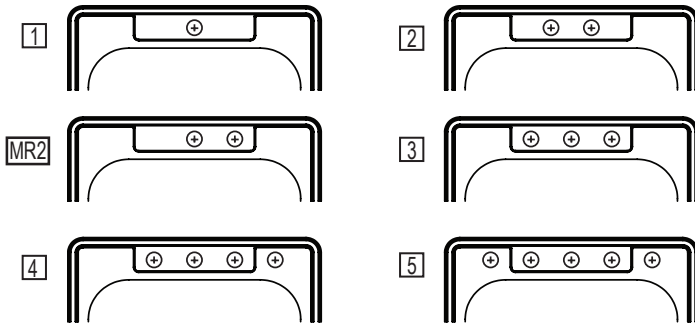
Model DXR25224 Illustrated



Model DXR33224 Illustrated

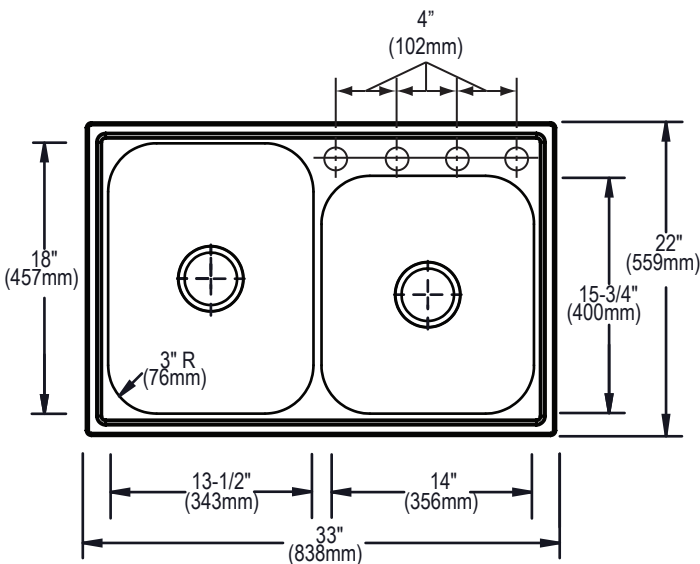
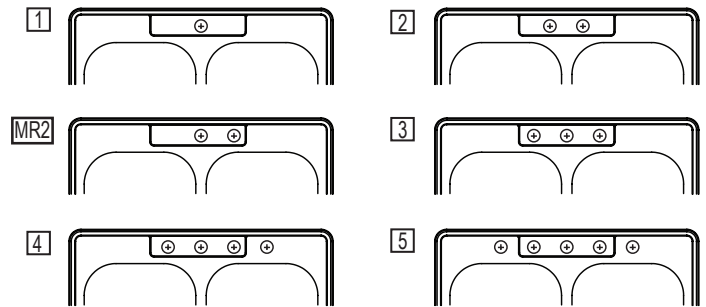
**Hole Drilling Configurations**

1-1/2" (38mm) Diameter Faucet Holes on 4" (102mm) Centers



**Hole Drilling Configurations**

1-1/2" (38mm) Diameter Faucet Holes on 4" (102mm) Centers



Model DXR250R4 Illustrated

**Hole Drilling Configurations**

1-1/2" (38mm) Diameter Faucet Holes on 4" (102mm) Centers

