

ELKAY[®]

SPECIFICATIONS

Lustertone[®] Two Bowl Sink and Fountain Packages Models DRKR3717 and DRKRQ3717 Series Models DRKAD3717 and DRKADQ3717 Series – A.D.A. Compliant

GENERAL

Lustertone sink and fountain bowl combination. Highest quality sink bowls seamlessly formed of #18 gauge, type 304 (18-8) nickel bearing stainless steel. Top Mount.

OTHER

Drain Openings: 3-1/2" (89mm) in large bowl, 2" in fountain bowl.


Slotted hole allows for vandal-resistant bubbler.

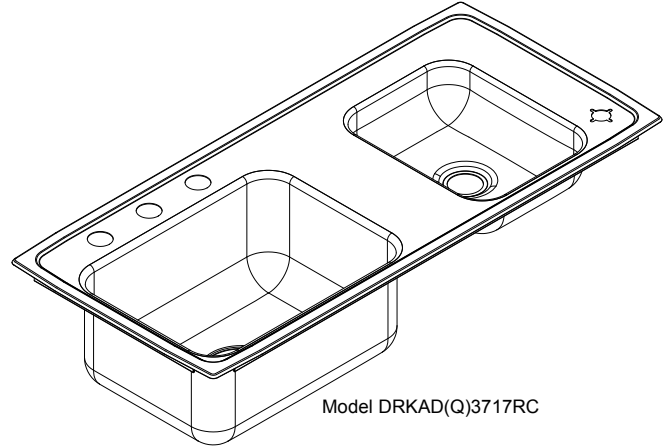
Suffix "L" (left) and "R" (right) denotes location of the fountain bowl.

NOTE: Unless otherwise specified, sink is furnished with 4 faucet holes as shown.

Sink complies with ASME A112.19.3/ CSA B45.4

 Sinks are listed by IAPMO[®] as meeting the applicable requirements of the Uniform Plumbing Code[®], International Plumbing Code[®], and National Plumbing Code of Canada.

 Both faucet and bubbler are classified by Underwriters Laboratory, Inc. to NSF/ANSI61 for residential use.



Model DRKAD(Q)3717RC

PACKAGE MODELS ALSO INCLUDE:

Faucet: LKD2439C

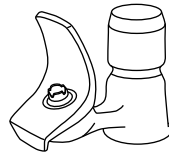
Bubbler: LK1141A

Drain: LK35

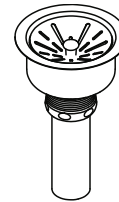
Drain: LK8



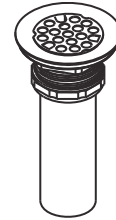
LKD2439C



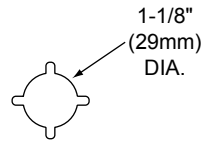
LK1141A



LK35

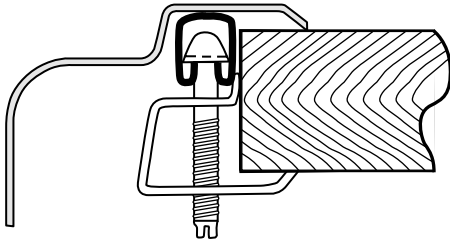


LK8

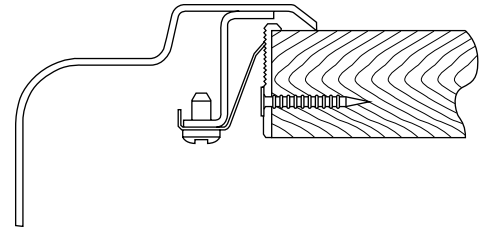


Slotted Hole

U-Channel Type Mounting System



Quick-Clip[®] Mounting System



SEE NEXT PAGE FOR PRODUCT DIMENSIONS.

THIS PRODUCT, AS CONSTRUCTED IS SUBJECT TO INTERPRETATION OF A.D.A. REQUIREMENTS.
 THE UNOBSTRUCTED KNEE SPACE REQUIRED TO SATISFY A.D.A. STANDARDS MAY NOT BE DESIRABLE.

In keeping with our policy of continuing product improvement, Elkay reserves the right to change product specifications without notice. Please visit elkay.com for the most current version of Elkay product specification sheets.

This specification describes an Elkay product with design, quality, and functional benefits to the user. When making a comparison of others producers offerings, be certain these features are not overlooked.

Lustertone® Two Bowl Sink and Fountain Packages
Models DRKR3717 and DRKRQ3717 Series
Models DRKAD3717 and DRKADQ3717 Series –
A.D.A. Compliant

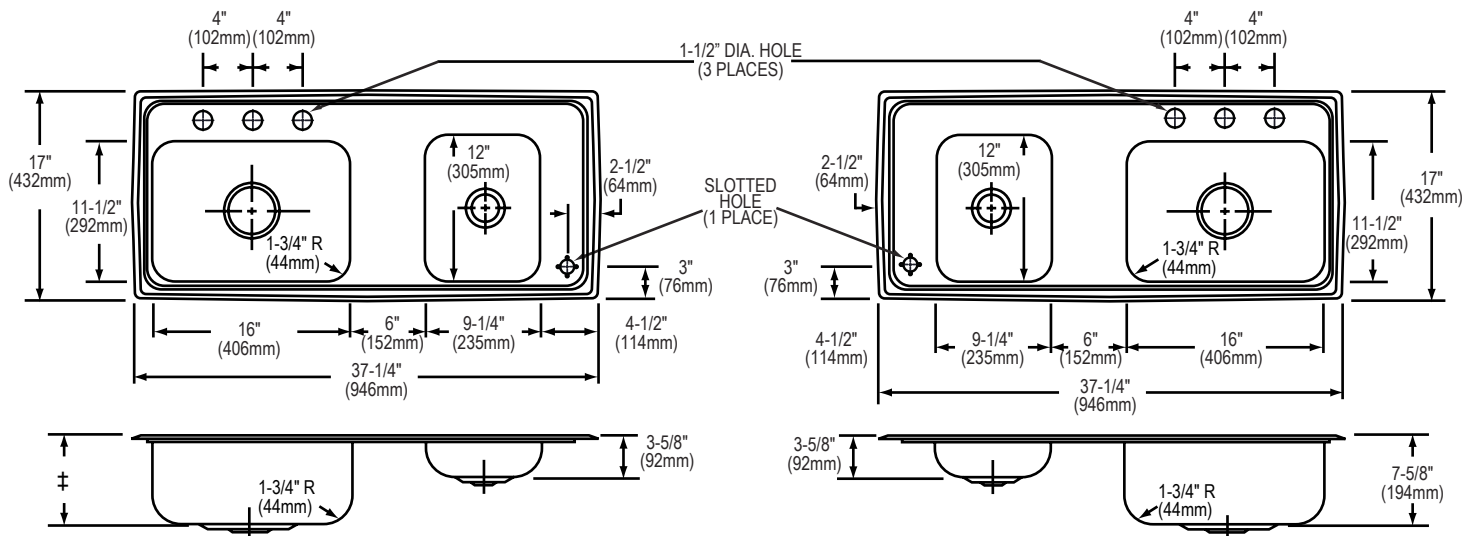
ELKAY®
SPECIFICATIONS

SINK DIMENSIONS (INCHES)*

U-Channel Model Number	Quick-Clip Model Number	Overall		Inside Left Bowl			Inside Right Bowl			Partition	Fountain Bowl Location	Cutout in Countertop (1 1/2" Radius Corners)		Minimum Cabinet Size	Drain Openings Each Bowl	Ship. Wt. Lbs.
		L	W	L	W	D	L	W	D			L	W			
DRKR3717LC	DRKRQ3717LC	37 1/4 (946mm)	17 (431mm)	9 1/4 (235mm)	12 (305mm)	3 5/8 (92mm)	16 (406mm)	11 1/2 (292mm)	7 5/8 (194mm)	6 (152mm)	Left	36 5/8 (930mm)	16 3/8 (416mm)	42 (416mm)	Centered	27
†DRKR3717L	†DRKRQ3717L	37 1/4 (946mm)	17 (431mm)	9 1/4 (235mm)	12 (305mm)	3 5/8 (92mm)	16 (406mm)	11 1/2 (292mm)	7 5/8 (194mm)	6 (152mm)	Left	36 5/8 (930mm)	16 3/8 (416mm)	42 (416mm)	Centered	17 1/2
DRKR3717RC	DRKRQ3717RC	37 1/4 (946mm)	17 (431mm)	16 (406mm)	11 1/2 (292mm)	7 5/8 (194mm)	9 1/4 (235mm)	12 (305mm)	3 5/8 (92mm)	6 (152mm)	Right	36 5/8 (930mm)	16 3/8 (416mm)	42 (416mm)	Centered	27
†DRKR3717R	†DRKRQ3717R	37 1/4 (946mm)	17 (431mm)	16 (406mm)	11 1/2 (292mm)	7 5/8 (194mm)	9 1/4 (235mm)	12 (305mm)	3 5/8 (92mm)	6 (152mm)	Right	36 5/8 (930mm)	16 3/8 (416mm)	42 (416mm)	Centered	17 1/2
DRKAD3717LC	DRKADQ3717LC	37 1/4 (946mm)	17 (431mm)	9 1/4 (235mm)	12 (305mm)	3 5/8 (92mm)	16 (406mm)	11 1/2 (292mm)	‡	6 (152mm)	Left	36 5/8 (930mm)	16 3/8 (416mm)	42 (416mm)	Centered	27
†DRKAD3717L	†DRKADQ3717L	37 1/4 (946mm)	17 (431mm)	9 1/4 (235mm)	12 (305mm)	3 5/8 (92mm)	16 (406mm)	11 1/2 (292mm)	‡	6 (152mm)	Left	36 5/8 (930mm)	16 3/8 (416mm)	42 (416mm)	Centered	17 1/2
DRKAD3717RC	DRKADQ3717RC	37 1/4 (946mm)	17 (431mm)	16 (406mm)	11 1/2 (292mm)	‡	9 1/4 (235mm)	12 (305mm)	3 5/8 (92mm)	6 (152mm)	Right	36 5/8 (930mm)	16 3/8 (416mm)	42 (416mm)	Centered	27
†DRKAD3717R	†DRKADQ3717R	37 1/4 (946mm)	17 (431mm)	16 (406mm)	11 1/2 (292mm)	‡	9 1/4 (235mm)	12 (305mm)	3 5/8 (92mm)	6 (152mm)	Right	36 5/8 (930mm)	16 3/8 (416mm)	42 (416mm)	Centered	17 1/2

* Length is left to right. Width is front to back.

‡ Unless otherwise specified, all sinks which do not have suffix "C" are **less fittings** (no faucet, bubbler or drain), but are drilled for faucet, bubbler and drain as illustrated. Available in 4", 4-1/2", 5", 5-1/2", 6" or 6-1/2" depths. Please consult your sales representative for other depths or modifications.



Model DRKAD371765R4 Illustrated

Model DRKR(Q)3717L4 Illustrated

‡ Available in 5-1/2", 6" or 6-1/2" depths. Please consult your sales representative for other depths or modifications.

In keeping with our policy of continuing product improvement, Elkay reserves the right to change product specifications without notice. Please visit elkay.com for the most current version of Elkay product specification sheets.

This specification describes an Elkay product with design, quality, and functional benefits to the user. When making a comparison of others producers offerings, be certain these features are not overlooked.