

# DAYTON® SPECIFICATIONS

## Dayton® Premium Single Bowl Sink Models DPM13322 and DPMJ13322

### GENERAL

Sink is formed of #20 gauge, type 301, nickel-bearing stainless steel. Topmount.

### DESIGN FEATURES

Bowl Depth: 8" (203mm)

Rim Height: 3/16" (5mm)

Faucet Deck: Raised

Coved Corners: 3-1/2" vertical and 2-1/4" horizontal radius

Finish: Exposed surfaces are polished to a Premium Highlighted Satin finish.

Underside: Fully undercoated to reduce condensation and dampen sound.

### OTHER

Drain Opening: 3-1/2"

### OPTIONAL ACCESSORIES

Bottom Grid: GBG2816SS

Cutting Board: CB1516

Drain: LK35, D1125

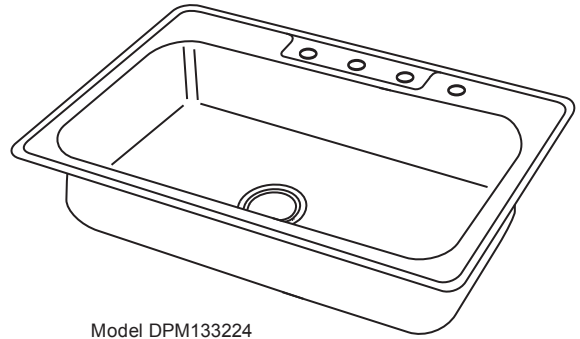
Rinsing Basket: LKWERBSS

Utensil Caddy: LKWUCSS

Sink complies with ASME A112.19.3-2008 / CSA B45.4-08.



These sinks are listed by the International Association of Plumbing and Mechanical Officials as meeting the requirements of the Uniform Plumbing Code and the National Plumbing Code of Canada.



Model DPM133224



**SINKS ARE  
MADE IN THE USA**

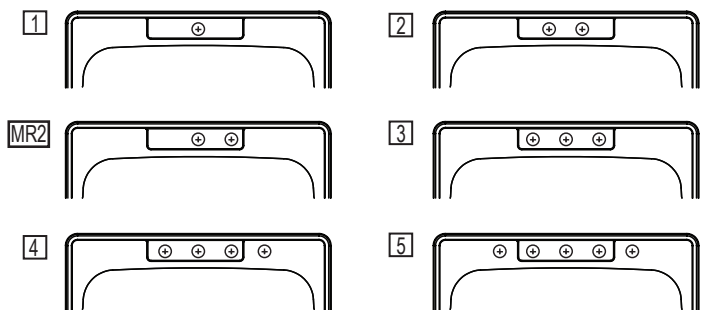
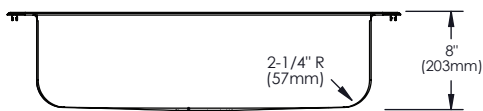
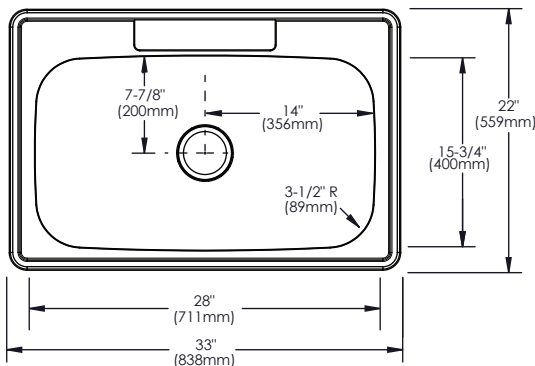
### SINK DIMENSIONS (INCHES)\*

U-Channel Model Number	J-Channel Model Number	Overall		Inside Bowl			Cutout in Countertop (1-1/2" (38mm) Radius Corners)		No. of 1-1/2" (38mm) Dia. Faucet Holes	Minimum Cabinet Size
		L	W	L	W	D	L	W		
DPM13322	DPMJ13322	33 (838mm)	22 (559mm)	28 (711mm)	15-3/4 (400mm)	8 (203mm)	32-3/8 (822mm)	21-3/8 (543mm)	1, 2, MR2 3, 4 or 5	36 (914mm)

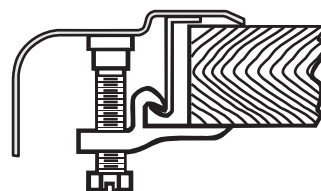
\*Length is left to right. Width is front to back.

### Hole Drilling Configurations

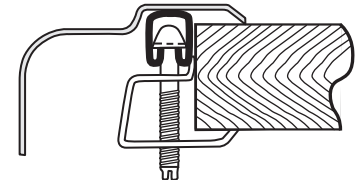
1-1/2" (38mm) Diameter Faucet Holes on 4" (102mm) Centers



### J-Channel Type Mounting System



### U-Channel Type Mounting System



In keeping with our policy of continuing product improvement, Elkay reserves the right to change product specifications without notice.

This specification describes an Elkay product with design, quality and functional benefits to the user. When making a comparison of other producers' offerings, be certain these features are not overlooked.