

# ELKAY<sup>®</sup>

## SPECIFICATIONS

### Gourmet Sink with Perfect Drain™ Models DLR Series

#### GENERAL

Highest quality sink formed of #18 (1.2mm) gauge, type 304 (18-8) nickel bearing stainless steel with **Perfect Drain**. Top mount.

#### DESIGN FEATURES

Bowl Depths: 10"(254mm), Overall depth: 11-1/2" (292mm) [DLR291810PD]  
10-1/8"(257mm), Overall depth: 11-5/8" (295mm) [DLR332210PD]

Coved Corners: 1-3/4" vertical and horizontal radius.

Rim Height: 3/8" (10mm)

Finish: Exposed surfaces are hand polished to a Lustrous Highlighted Satin finish.

Underside: Fully protected by Sound Guard<sup>®</sup> undercoating to reduce condensation and dampen sound.

**Perfect Drain:** Seamlessly welded stainless steel collar eliminates the gap between a traditional drain and the sink for a sanitary and gap free installation. Each sink shipped with two LKPD1 drain kits, or a garbage disposer can be installed on either sink bowl for user convenience.

#### Patent Pending

#### OTHER

Drain opening: 3-3/8" (86mm)

Waste Fitting complies with ASME A112.18.2/CAN/CSA-B125.2

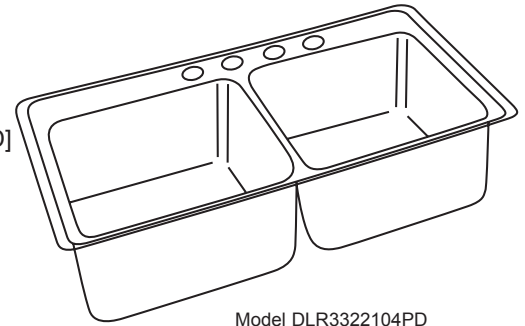
Sink complies with ASME A112.19.3/ CSA B45.4



Sinks are listed by IAPMO<sup>®</sup> as meeting the applicable requirements of the Uniform Plumbing Code<sup>®</sup>, International Plumbing Code<sup>®</sup>, and National Plumbing Code of Canada.

#### OPTIONAL ACCESSORIES

Model Number	Bottom Grid	Cutting Boards	Rinsing Basket	Utensil Caddy for Rinsing Basket
DLR291810PD		CB912	LKWRB1209SS	LKWUCSS
DLR332210PD	LKWBG1316SS	CB1613, CB1713 CBR1316, CBS1316	LKWRB1316SS LKWERBSS	LKWUCSS



Model DLR3322104PD

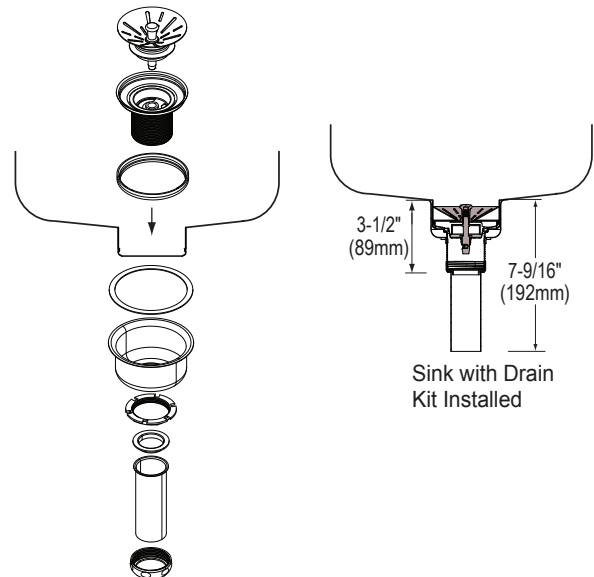
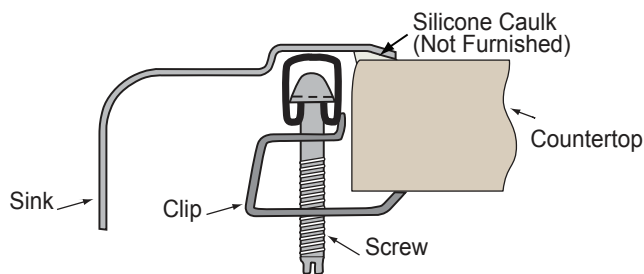
**in sink erator<sup>®</sup>**

Elkay<sup>®</sup> Perfect Drain™ sinks are designed and approved for compatible disposers manufactured by InSinkEerator<sup>®</sup> utilizing the Quick Lock<sup>®</sup> mounting configuration. Use of non-approved disposers may void Elkay warranty.

InSinkEerator, Quick Lock and the mounting collar configuration are trademarks of Emerson Electric Co.



#### Installation Profile



In keeping with our policy of continuing product improvement, Elkay reserves the right to change product specifications without notice. Please visit [elkay.com](http://elkay.com) for the most current version of Elkay product specification sheets.

This specification describes an Elkay product with design, quality, and functional benefits to the user. When making a comparison of others producers offerings, be certain these features are not overlooked.

# ELKAY<sup>®</sup>

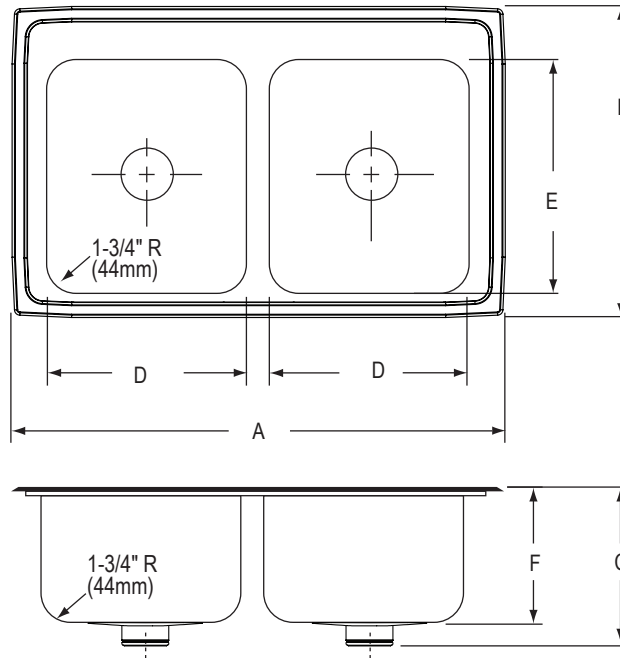
## SPECIFICATIONS

**Gourmet Sink  
with Perfect Drain™  
Models DLR Series**

### SINK DIMENSIONS\*

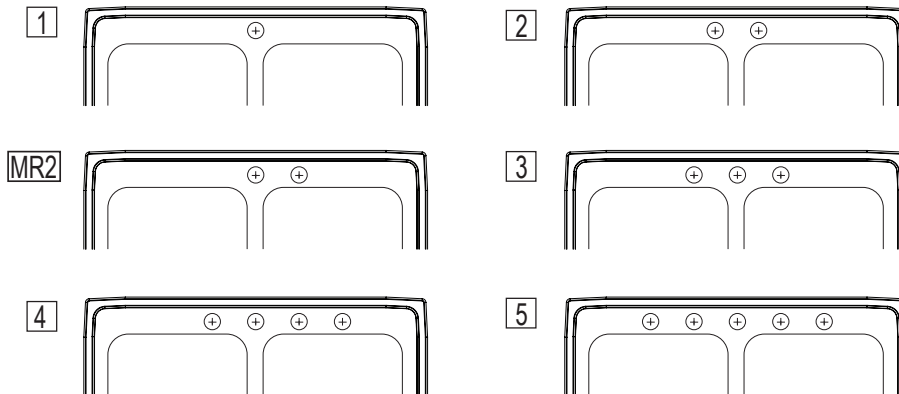
Model Number	Overall			Inside Bowl			Cutout in Countertop (1 1/2" [38mm] Radius Corners)		No. of 1 1/2" (38mm) Dia. Faucet Holes 4" (102mm) Center	Minimum Cabinet Size
	A	B	C	D	E	F	L	W		
	L	W	D	L	W	D	L	W		
DLR291810PD	29 (737mm)	18 (457mm)	11-1/2 (292mm)	12 (305mm)	12 (305mm)	10 (254mm)	28-3/8 (721mm)	17-3/8 (441mm)	1, 2, MR2, 3, 4 or 5	33 (838mm)
DLR332210PD	33 (838mm)	22 (559mm)	11-5/8 (295mm)	13-1/2 (343mm)	16 (406mm)	10-1/8 (257mm)	32-3/8 (822mm)	21-3/8 (543mm)	1, 2, MR2, 3, 4 or 5	36 (914mm)

\*Length is left to right. Width is front to back.



### Hole Drilling Configurations

1-1/2" (38mm) Diameter Faucet Holes on 4" (102mm) Centers



In keeping with our policy of continuing product improvement, Elkay reserves the right to change product specifications without notice. Please visit [elkay.com](http://elkay.com) for the most current version of Elkay product specification sheets.

This specification describes an Elkay product with design, quality, and functional benefits to the user. When making a comparison of others producers offerings, be certain these features are not overlooked.