

ELKAY® SPECIFICATIONS

Lustertone® Deep Single Bowl Sink No Faucet Ledge Models DLFR and DLFRQ Series

GENERAL

Highest quality sink bowl seamlessly formed of #18 gauge, type 304 (18-8) nickel bearing stainless steel. Self-rimming.

DESIGN FEATURES

Bowl Depth: 10-1/8" or 12-1/8".

Coved Corners: 1-3/4" vertical and horizontal radius.

Bowl Recess: 3/16" below outside edge of sink.

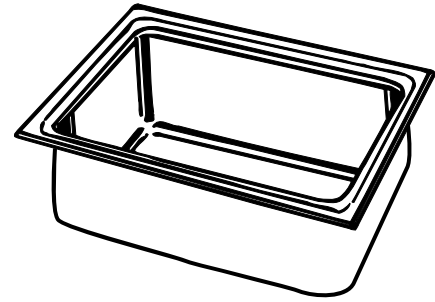
Finish: Exposed surfaces are hand blended to a lustrous high-lighted satin finish.

Underside: Fully undercoated to dampen sound and prevent condensation.

OTHER

Drain Opening: 3-1/2".

These sinks comply with ANSI Standard A112.19.3M.

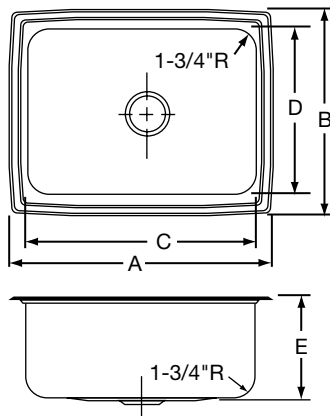


Model DLFR(Q)251910

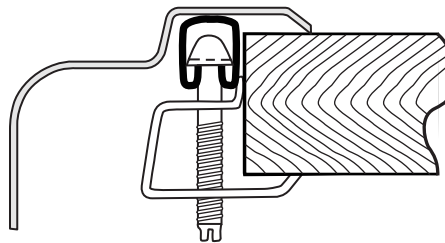
SINK DIMENSIONS (INCHES)*

U-Channel Model Number	Quick-Clip® Model Number	Overall		Inside Bowl			Cutout in Countertop (1 1/2" Radius Corners)		Minimum Cabinet Size	Ship. Wt. Lbs.
		L	W	L	W	D	L	W		
		A	B	C	D	E	L	W		
DLFR191810	DLFRQ191810	19	18	16	13 1/2	10 1/8	18 3/8	17 3/8	24	14
DLFR251910	DLFRQ251910	25	19 1/2	21	15 3/4	10 1/8	24 3/8	18 7/8	30	18
DLFR251912	DLFRQ251912	25	19 1/2	21	15 3/4	12 1/8	24 3/8	18 7/8	30	18 3/4

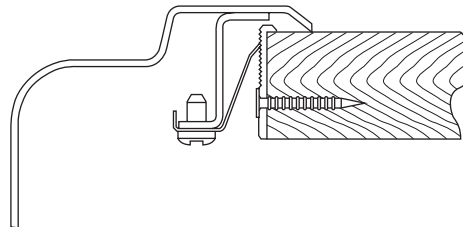
*Length is left to right. Width is front to back.



U-Channel Type Mounting System



Quick-Clip® Mounting System



ALL DIMENSIONS IN INCHES, TO CONVERT TO MILLIMETERS MULTIPLY BY 25.4.

In keeping with our policy of continuing product improvement, Elkay reserves the right to change product specifications without notice.

This specification describes an Elkay product with design, quality and functional benefits to the user. When making a comparison of other producers' offerings, be certain these features are not overlooked.