

ELKAY® SPECIFICATIONS

Celebrity® Single Bowl Sink CR Series

GENERAL

Good quality Celebrity sink seamlessly drawn of #20 gauge, type 304 (18-8) nickel bearing stainless steel. Self-rimming.

DESIGN FEATURES

Bowl Depth: 7".

Coved Corners: 3" radius.

Bowl Recess: 3/16" below outside edge of sink. CR2522 and CRS3322 have 1/4" drop ledge.

Finish: Exposed surfaces are machine polished to a bright finish.

Underside: Fully undercoated.

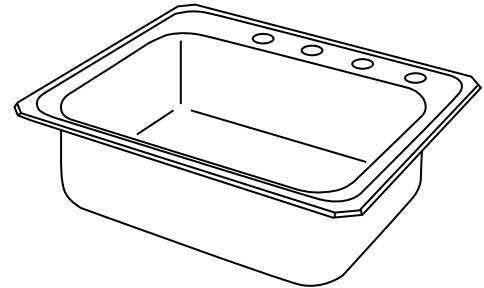
OTHER

Drain Opening: 3-1/2".

Faucet Holes: Available in 3 or 4, 1-1/2" diameter faucet holes, 4" center to center.

NOTE: Unless otherwise specified, sink is furnished with 4 faucet holes as shown.

These sinks comply with ANSI Standard A112.19.3M.



Model CR25214

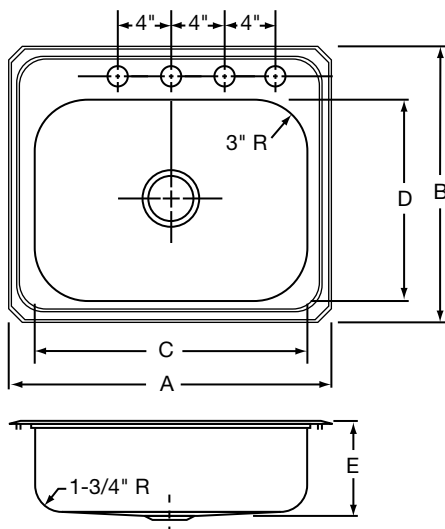


These sinks are listed by the International Association of Plumbing and Mechanical Officials as meeting the requirements of the Uniform Plumbing Code.

SINK DIMENSIONS (INCHES)*

Model Number	Overall		Inside Bowl			Cutout in Countertop (1 1/2" Radius Corners)		No. of 1 1/2" Dia. Faucet Holes 4" Centers	Minimum Cabinet Size	Ship. Wt. Lbs.
	L	W	L	W	D	L	W			
CR1721	17	21 1/4	14	15 3/4	7	16 3/8	20 5/8	3	21	9 1/2
CR2521	25	21 1/4	21	15 3/4	7	24 3/8	20 5/8	3 or 4	30	11 3/4
CR2522	25	22	21	15 3/4	7	24 3/8	21 3/8	3 or 4	30	12
CR3122	31	22	28	15 3/4	7	30 3/8	21 3/8	3 or 4	36	15 1/4
CRS3322	33	22	28	15 3/4	7	32 3/8	21 3/8	3 or 4	36	15 1/2

*Length is left to right. Width is front to back.



ALL DIMENSIONS IN INCHES, TO CONVERT TO MILLIMETERS MULTIPLY BY 25.4.

In keeping with our policy of continuing product improvement, Elkay reserves the right to change product specifications without notice.

This specification describes an Elkay product with design, quality and functional benefits to the user. When making a comparison of other producers' offerings, be certain these features are not overlooked.