

SPECIFICATIONS

GENERAL

Celebrity sink with fountain. #20 gauge, type 304 stainless steel, self-rimming.

CLASSROOM/INSTITUTIONAL SINK PACKAGE

Model **CDKR2517C** features a stainless steel work sink, single handle gooseneck faucet and No Lead Flexi-Guard® Bubbler. Package includes:

- (1) **LK208513L** Single Wing Handle faucet with fixed 13" hi-spout and aerator. Outlet height: 9-3/8"; Reach: 4-3/4".
- (1) **LK1141A** No Lead Flexi-Guard® Bubbler. Pushbutton valve design bubbler meets ANSI and ADA requirements. Designed so that water never comes in contact with lead-containing materials. Flexi-Guard safety bubbler flexes on impact to prevent accidental injury when getting a drink. Built-in adjustable water volume control.
- (1) **LK35** Duo strainer.

CDKR2517VRC Package includes:

- (1) **LKVR208513L** Same as LK208513L faucet, except with vandal-resistant aerator and handle screw, and factory installed anti-rotation pins.
- (1) **LKVR1141A** Same as LK1141A except vandal-resistant, with metal bubbler guard and anti-rotation feature.
- (1) **LKVR18** Drain fitting with vandal-resistant 3" perforated grid strainer.

OTHER

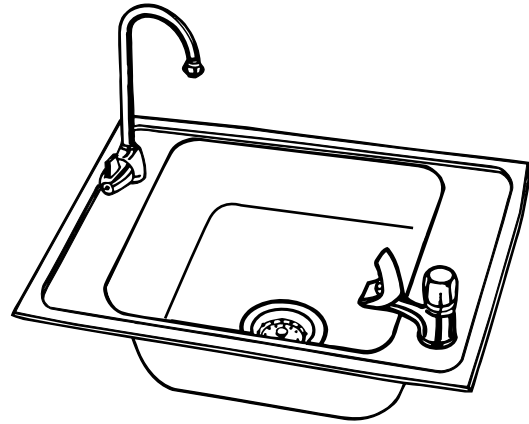
Drain Opening: 3-1/2".

SINK DIMENSIONS (INCHES)*

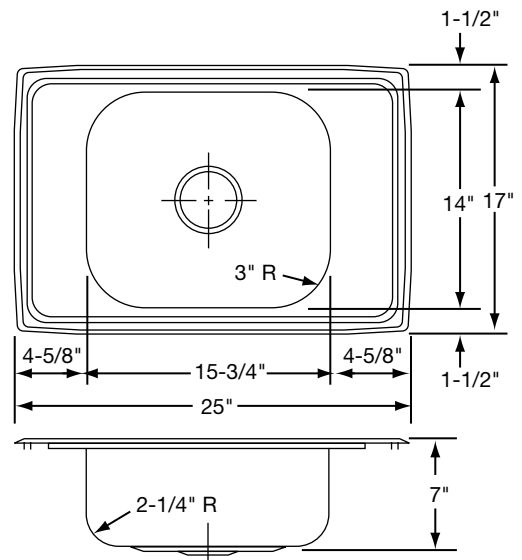
Model Number	Overall		Inside Bowl			Cutout in Countertop (1 1/2" Radius Corners)		Ship. Wt. Lbs.
	L	W	L	W	D	L	W	
CDKR2517C	25	17	15 3/4	14	7	24 3/8	16 3/8	17 1/4
†CDKR2517	25	17	15 3/4	14	7	24 3/8	16 3/8	12
CDKR2517VRC	25	17	15 3/4	14	7	24 3/8	16 3/8	17 1/4

* Length is left to right. Width is front to back.

† Unless otherwise specified, all sinks which do not have suffix "C" are **less fittings** (no faucet, bubbler or drain), but are drilled for faucet, bubbler and drain as illustrated.



Model CDKR2517C



Model CDKR2517 Illustrated

THIS PRODUCT, AS CONSTRUCTED IS SUBJECT TO INTERPRETATION OF A.D.A. REQUIREMENTS. THE UNOBSTRUCTED KNEE SPACE REQUIRED TO SATISFY A.D.A. STANDARDS MAY NOT BE DESIRABLE.

ALL DIMENSIONS IN INCHES, TO CONVERT TO MILLIMETERS MULTIPLY BY 25.4.

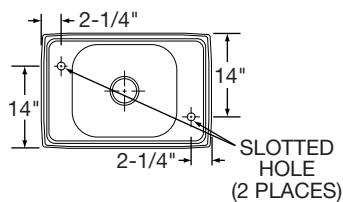
In keeping with our policy of continuing product improvement, Elkay reserves the right to change product specifications without notice.

This specification describes an Elkay product with design, quality and functional benefits to the user. When making a comparison of other producers' offerings, be certain these features are not overlooked.

SPECIFICATIONS

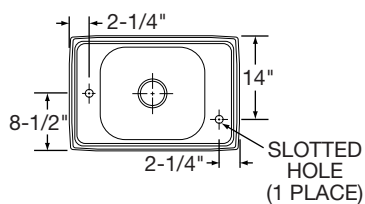
HOLE DRILLING CONFIGURATIONS

2 HOLE CONFIGURATION



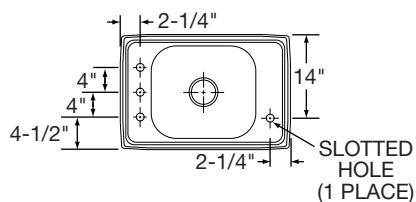
MODEL CDKR25172

2 LM (LEFT MIDDLE) HOLE CONFIGURATION



MODEL CDKR25172LM

4 HOLE CONFIGURATION



MODEL CDKR25174



Slotted Hole