

# ELKAY® SPECIFICATIONS

## Lustertone® Hospitality Sinks and Sink Packages

### GENERAL

Highest quality sink bowl seamlessly formed of #18 gauge, type 304 (18-8) nickel bearing stainless steel. Self-rimming.

### DESIGN FEATURES

Bowl Depths: 6-1/8" [BLR(Q)1560 and LMR2013], 7-1/8" [all others].

Coved Corners: 1-3/4" vertical and horizontal radius. LMR2013 has 3" vertical and 1-3/4" horizontal radius.

Bowl and Faucet Deck Recess: 3/16" below outside edge of sink.

Finish: Exposed surfaces are hand blended to a lustrous highlighted satin finish.

Underside: Fully undercoated to dampen sound and prevent condensation.

These sinks comply with ANSI Standard A112.19.3M.

### SINK PACKAGES

**BLH15C** Package includes:

- (1) **BLR15** Sink.
- (1) **LKA2438** Hi-Arc® two-handle bar faucet with 9" high (deck to aerator) contemporary swing spout.
- (1) **LK36** Small basket strainer for 2" drain outlets.

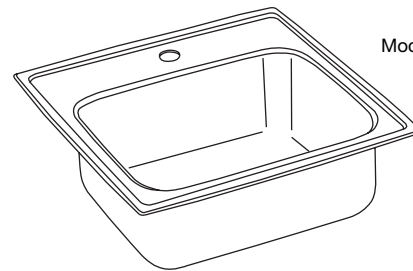
**BLR150C** Package includes:

- (1) **BLR15** Sink.
- (1) **LK2223** Deluxe two-handle bar faucet with 9-7/8" high (deck to aerator) traditional swing spout.
- (1) **LK36** Small basket strainer for 2" drain outlets.

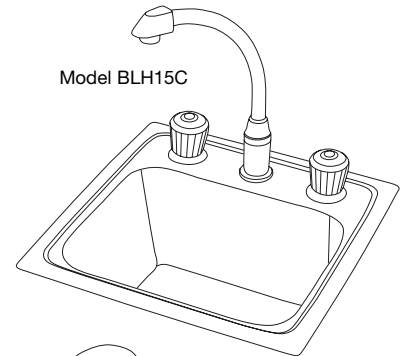
### OTHER

Drain Openings: 3-1/2" [BLR(Q)1516 and LMR2013], 2" [all others].

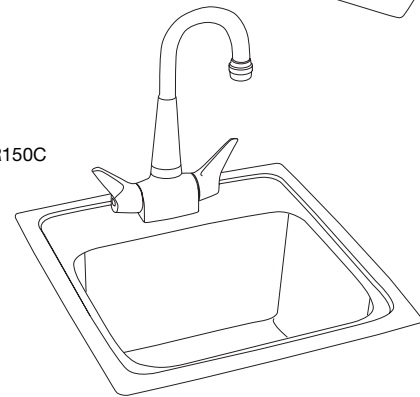
NOTE: Unless otherwise specified, sink is furnished with 1 faucet hole as shown.



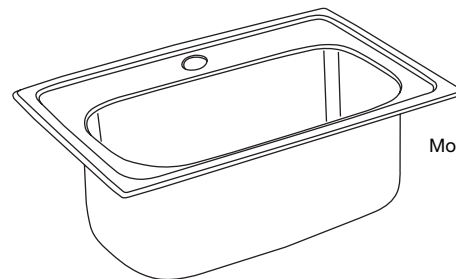
Model BLR(Q)151



Model BLH15C



Model BLR150C



Model LMR20131

SEE OTHER SIDE FOR PRODUCT DIMENSIONS.

ALL DIMENSIONS IN INCHES, TO CONVERT TO MILLIMETERS MULTIPLY BY 25.4.

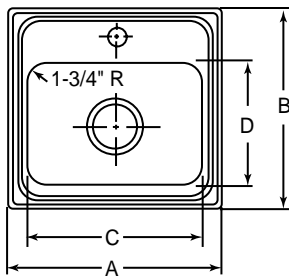
*In keeping with our policy of continuing product improvement, Elkay reserves the right to change product specifications without notice.*

*This specification describes an Elkay product with design, quality and functional benefits to the user. When making a comparison of other producers' offerings, be certain these features are not overlooked.*

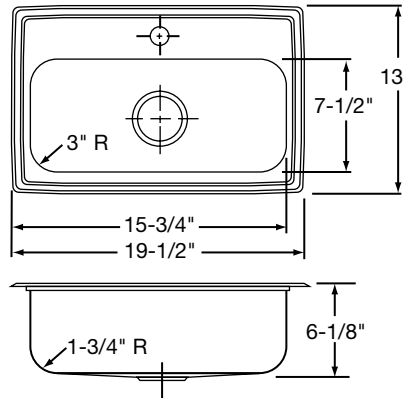
**SINK DIMENSIONS (INCHES)\***

U-Channel Model Number	Quick-Clip® Model Number	Overall		Inside Bowl			Cutout in Countertop (1½" Radius Corners)		No. of Faucet Holes 4" Centers	Minimum Cabinet Size	Ship. Wt. Lbs.
		L	W	L	W	D	L	W			
		A	B	C	D	E	L	W			
BLH15C	–	15	15	12	9¼	7⅞	14¾	14¾	3	18	11½
BLR150C	–	15	15	12	9¼	7⅞	14¾	14¾	1	18	12
BLR15	BLRQ15	15	15	12	9¼	7⅞	14¾	14¾	1, 2, MR2 or 3	18	7
BLR1516	BLRQ1516	15	15	12	9¼	7⅞	14¾	14¾	1, 2, MR2 or 3	18	7
BLR1560	BLRQ1560	15	15	12	9¼	6⅞	14¾	14¾	1, 2, MR2 or 3	18	7
LMR2013	–	19½	13	15¾	7½	6⅞	18⅞	12⅞	1, 2, MR2 or 3	24	8½

\*Length is left to right. Width is front to back.

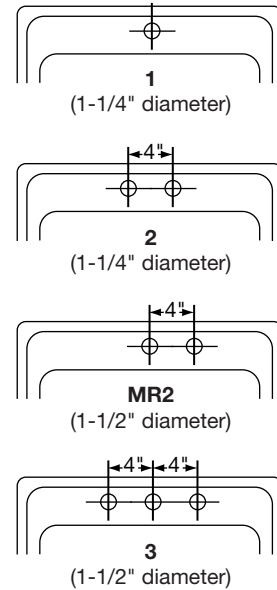


Model BLR151 Illustrated

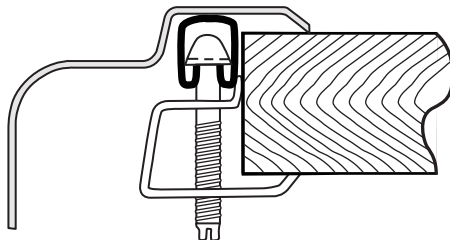


Model LMR20131 Illustrated

**HOLE DRILLING CONFIGURATIONS**



**U-Channel Type Mounting System**



**Quick-Clip® Mounting System**

