

Item No.:	_____	Qty.	_____
Model No.:	_____		
Project No.:	_____		



## 10" Deli Series Sinks

10" Deep Deli Series Three Compartment Stainless Steel Sinks

**3C10X14-L-12X**

### Options

- Faucets
- Tub Accessories
- Undershelves
- Rotary Drain Options
- H-Frame Stainless Steel Legs
- Stainless Steel Feet Options (bullet & flange styles)

### Specifications

Deli Series Sink, with three compartments, left drainboard, 9" backsplash, 16 gauge, 300 series stainless steel top and bowl, galvanized legs & adjustable feet, raised 1-1/2" rolled edge, includes 3-1/2" basket strainer, NSF approved

### Features

- 16 Ga. stainless steel
- Welded construction for consistent metal gauge thickness throughout
- 10" (254 mm) deep tub with 3/4" (19.1 mm) covered radius tub corners
- Drainboard is die stamped for positive drainage
- 9" (229 mm) backsplash with tile ledge for easy installation
- Raised 1-1/2" (38.1 mm) diameter rolled edge
- 3-1/2" (88.9 mm) drain with basket strainers included
- 1-5/8" (41.3 mm) galvanized legs with 1" (25.4 mm) adjustable plastic feet
- 2" (50.8 mm) divider between each tub

### Materials

- Sink & Bowl: 16 Ga. 300 series stainless steel
- Top: Drainboard and backsplash are 16 gauge 300 series stainless steel.
- Legs: All sinks furnished with 1-5/8" (41.3 mm) diameter heavy gauge galvanized tubing with plated galvanized leg gussets and high impact corrosion resistant fully adjustable 1" (25.4 mm) feet.

### Mechanical

- 1-1/8" (28.6mm) faucet holes on 8" (203.2mm) centers
- 3-1/2" (88.9mm) waste drain opening

### Flyer Product

*In keeping with our policy of continuing product improvement, Elkay SSP reserves the right to change product specifications without notice.*

*This specification describes an Elkay SSP product with design, quality and functional benefits to the user. When making a comparison of other producers' offerings, be certain these features are not overlooked.*



**AUTOQUOTES**





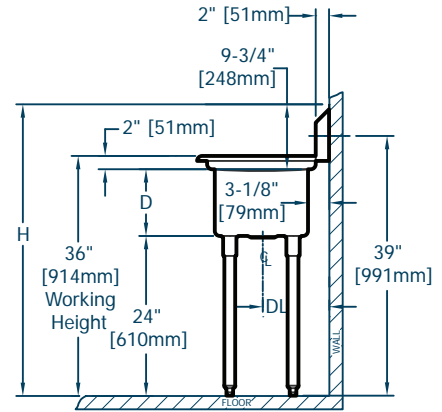
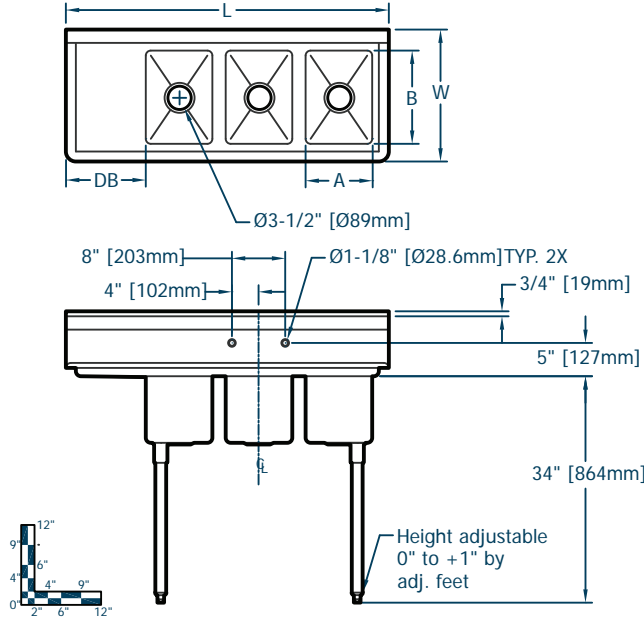
Item No.: \_\_\_\_\_ Qty. \_\_\_\_\_

Model No.: \_\_\_\_\_

Project No.: \_\_\_\_\_

## Deli Series Sinks

10" Deep Deli Series Three Compartment Stainless Steel Sinks



10" Deli Series Sinks																			
Model Number	Bowl Dimensions						Overall Size			Drainboard		Drain Location		Weight					
	Width		Front-to-Back		Depth		Length		Width	Height		Location	Size	Location		lbs.	kg		
	A	mm	B	mm	D	mm	L	mm	W	mm	H	mm	DB	DL	mm			mm	
3C 10 X 14 L 12 X	10	254	14	356	10	254	48.5	1232	19.8	503	44.8	1137	Left	12	305	10	254	217	98

