

Recessed Dryer Vent Box

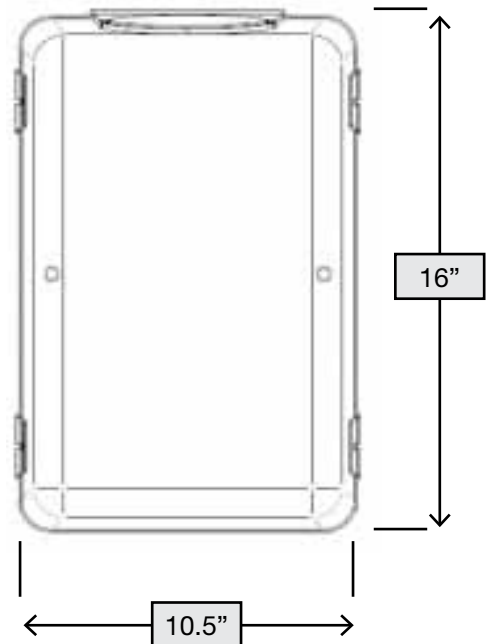
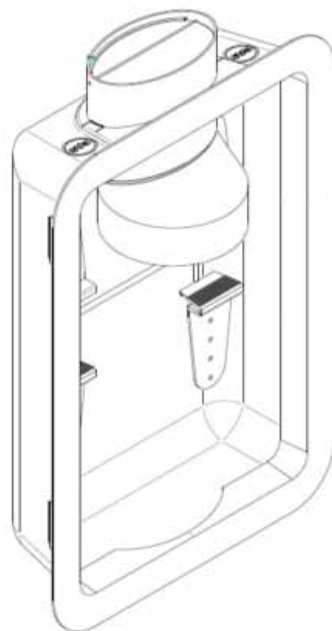
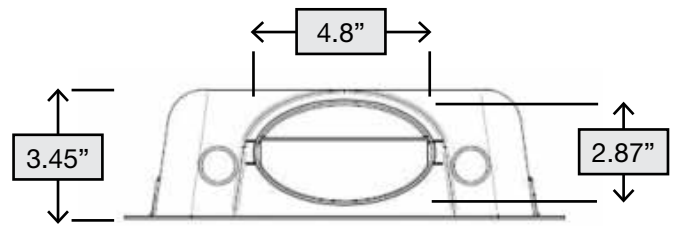
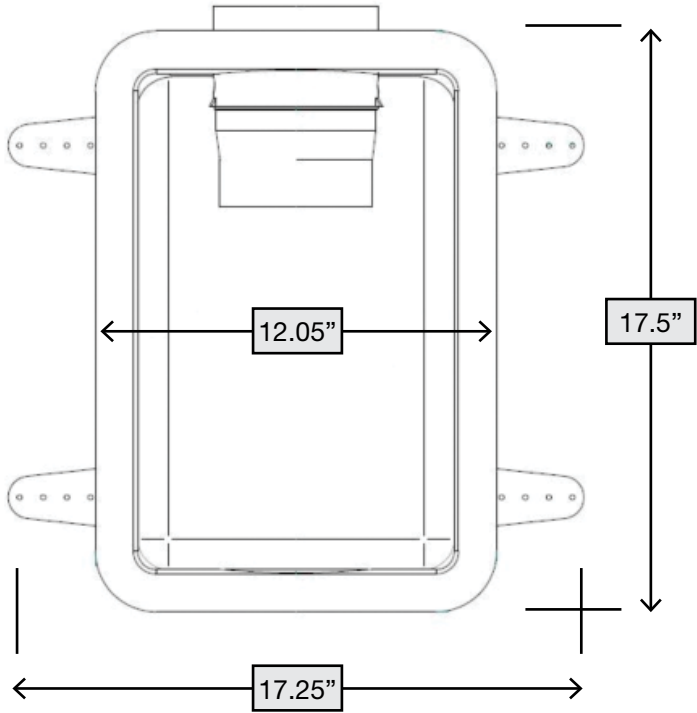


- Dryer can be pushed up against the wall of the laundry room, saving space
- Prevents duct from crushing
- Built in draft blocker reduces cold air back draft
- Oval to round duct adapter threads onto duct requiring no clamps for installation
- Suitable for gas and electric dryer applications

Product Code	UPC Code 060672	Size	Packaging	Pack Qty.	Pack Wt. (lbs)	Pack Cube (cu. ft.)
DRB4XZW	802005	4"	Retail Bulk / Cut Case - White	2	4	1.04

Material: High Impact Polystyrene

Collar Sizes: Meets UL standard 94HB tests for flammability



Scan this QR code to view helpful product feature and installation videos