

Mixing Faucets – Cast Brass Deckmount

TECK®
COMMERCIAL



Features:

- Teck® rigid/swivel gooseneck
 - unique design permits field installation as a rigid or swivel gooseneck
 - heavy-duty gooseneck made from seamless brass pipe
- Chrome plated CAST BRASS BODY
- 2 arm Teck® lab handles standard
- Teck® Lab structures
- C.P. renewable brass seats
- Two vacuum breaker variations
 - Angled atmospheric vacuum breaker. Brass construction with durable silicone disk allowing high heat and water hammer shock resistance. Provides superior performance when used with aspirator assemblies
 - Dual check in-line vacuum breaker resulting in an above average flow rate and consequently lower pressure loss

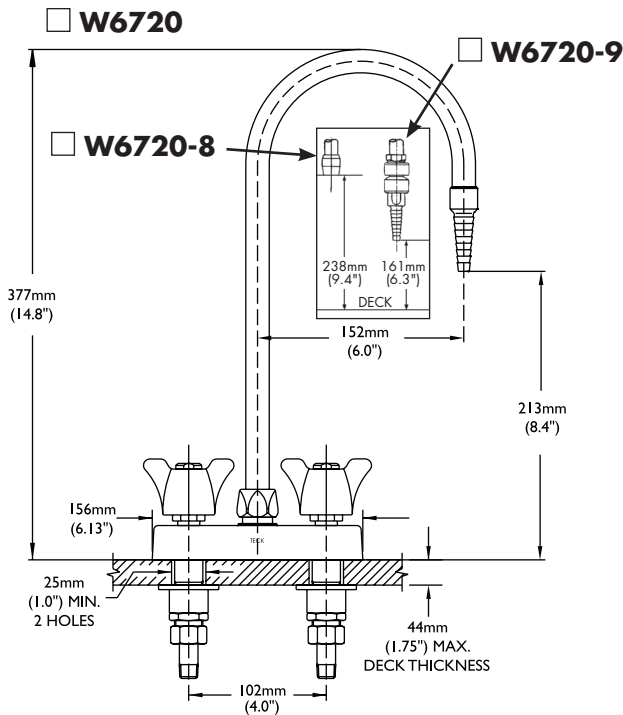
4" Centres

- W6720**
Deckmount mixing faucet with rigid/swivel gooseneck complete with 1/4" I.D. 10 serration nozzle, 1/2" NPS shanks, inlets at 102 mm (4") centres, chrome plated CAST BRASS BODY, locknuts, lockwashers, 1/4" NPT tailpiece and coupling nuts, 2 arm lab handles, Teck® Lab structures, C.P. renewable brass seats
- W6720-8**
As W6720, but with 2.2 USGPM (8.3 L/min.) flow control aerator
- W6720-9**
As W6720, but with in-line dual check vacuum breaker and nozzle
- W6720-10**
As W6720, but with angle vacuum breaker spout and nozzle

8" Centres

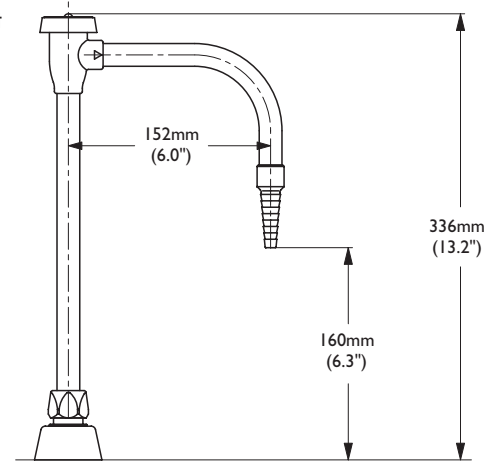
- W6740**
Deckmount mixing faucet with rigid/swivel gooseneck complete with 1/4" I.D. 10 serration nozzle, 1/2" NPS shanks, inlets at 203 mm (8") centres, chrome plated CAST BRASS BODY, locknuts, lockwashers, 1/4" NPT tailpiece and coupling nuts, 2 arm lab handles, Teck® Lab structures, C.P. renewable brass seats
- W6740-8**
As W6740, but with 2.2 USGPM (8.3 L/min.) flow control aerator
- W6740-9**
As W6740, but with in-line dual check vacuum breaker and nozzle
- W6740-10**
As W6740, but with angle vacuum breaker spout and nozzle





Optional VB Spout (W6850) specify:

- W6720-10
- W6740-10

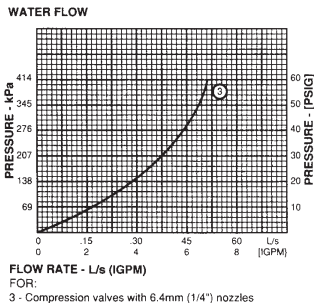
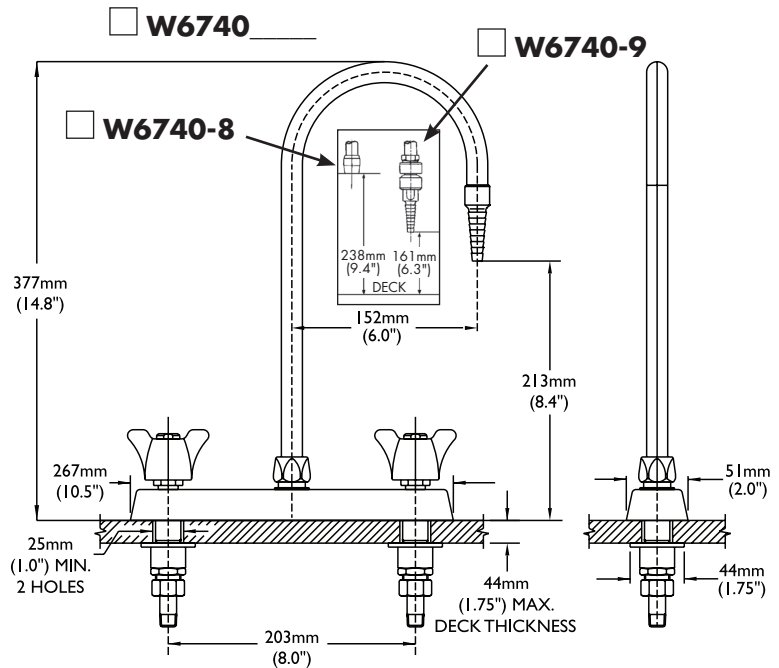


Faucet Inlets:

For 3/8" or 1/2" flexible riser or 1/2"-14 NPSM Coupling Nut (Supplied) or 1/4" MIP Tail (Supplied)

Note:

1. When 068040A filter pump assembly and back-flow prevention are required, it is recommended that optional W6850 VB spout be specified.
2. When product is used with potable water, it is suggested that plumbing code requirements for back-flow prevention be reviewed.



FOR OPTIONAL RIGID/SWIVEL SPOUTS
See DSP-LABSPOpt for detailed specification (Found in the "Add-On Option" section when using the printed spec binder)

Approvals and Standards Met:

- CSA certified to B125 with compliance to ASME A112.18.1
- ADA compliant and meets Handicapped Accessibility Standard ASME A117.1 of less than 5 lbs. operating force when optional lever blade or blade handles are specified
- In-line VB tested and approved in conformance with ASSE 1035 "Laboratory Faucet Vacuum Breakers".
- CSA certified to B64.7
- Angle VB tested and approved in conformance with ASSE 1001 and CSA B64.1.1

Note: Measurements may vary ± 6mm (0.25")