


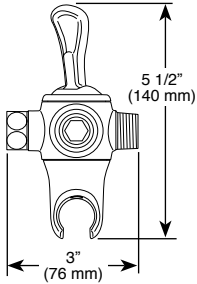
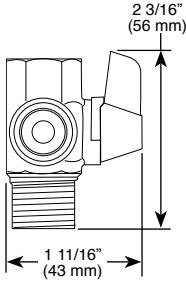
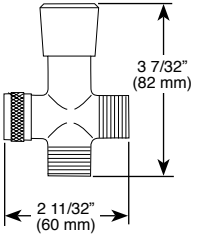

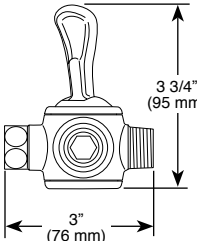
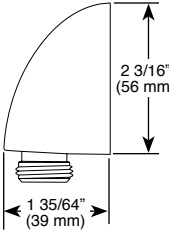
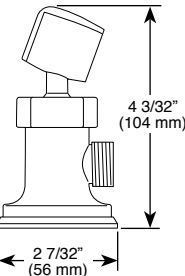
Submitted Model No.: _____

Specific Features: _____



DIVERTERS

■ All Brass Construction

<p>U4920-▲PK </p> 	<p>U4922-PK</p> 	<p>U4923-▲PK</p> 
<p>U4929-▲PK </p> 	<p>U4980-▲PK</p> 	<p>U4985-▲PK</p> 

▲ Designate proper finish suffix


STANDARD SPECIFICATIONS:

- All brass construction.
- Diverts water.
- Flip lever: U4920, U4929.
- Water supply elbow: U4980.

WARRANTY

- Lifetime Faucet and Finish Limited Warranty to the original consumer purchaser to be free from defects in material and workmanship.
- 5 Year Limited Warranty for usage in all industrial, commercial and business applications.

COMPLIES WITH:

 Indicates compliance to ICC/ANSI A117.1



55 E. 111th Street, Indianapolis, Indiana 46280
 350 South Edgeware Road, St. Thomas, ON N5P 4L1
 © 2012 Masco Corporation of Indiana

Delta reserves the right (1) to make changes in specifications and materials, and (2) to change or discontinue models, both without notice or obligation. Dimensions are for reference only. See current full-line price book or www.specselect.com for finish options and product availability.