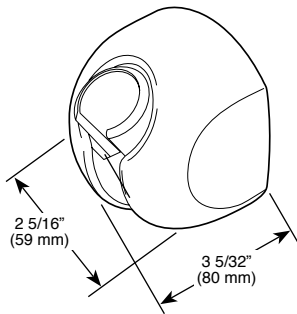


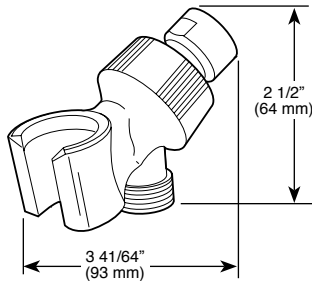
Submitted Model No.: \_\_\_\_\_

Specific Features: \_\_\_\_\_

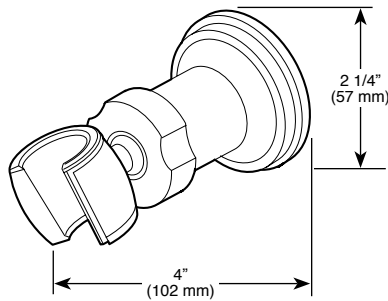
U3001-▲PK



U3401-▲PK



U4005-▲PK



▲ Designate proper finish suffix



## SHOWER ARM/ WALL MOUNTS

- Mounts HandShower to Wall or Shower Arm
- Accommodates Conical Hose Nuts

### STANDARD SPECIFICATIONS:

- Mounts handshower to wall or shower arm.
- Accommodates conical hose nuts.
- Concealed installation screws: U4005.
- Adhesive or concealed installation screws: U3001.
- Adjustable mount: U3401, U4005.

### WARRANTY

- Lifetime Faucet and Finish Limited Warranty to the original consumer purchaser to be free from defects in material and workmanship.
- 5 Year Limited Warranty for usage in all industrial, commercial and business applications.



### COMPLIES WITH:

- ASME A112.18.1/CSA B125.1

Delta reserves the right (1) to make changes in specifications and materials, and (2) to change or discontinue models, both without notice or obligation. Dimensions are for reference only. See current full-line price book or [www.specselect.com](http://www.specselect.com) for finish options and product availability.

DSP-B-U3001-PK Rev. A



55 E. 111th Street, Indianapolis, Indiana 46280  
350 South Edgeware Road, St. Thomas, ON N5P 4L1  
© 2012 Masco Corporation of Indiana