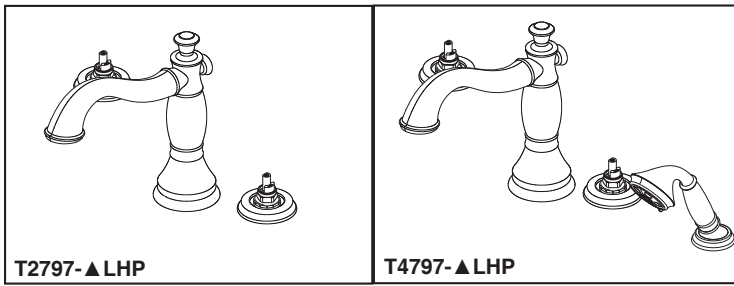




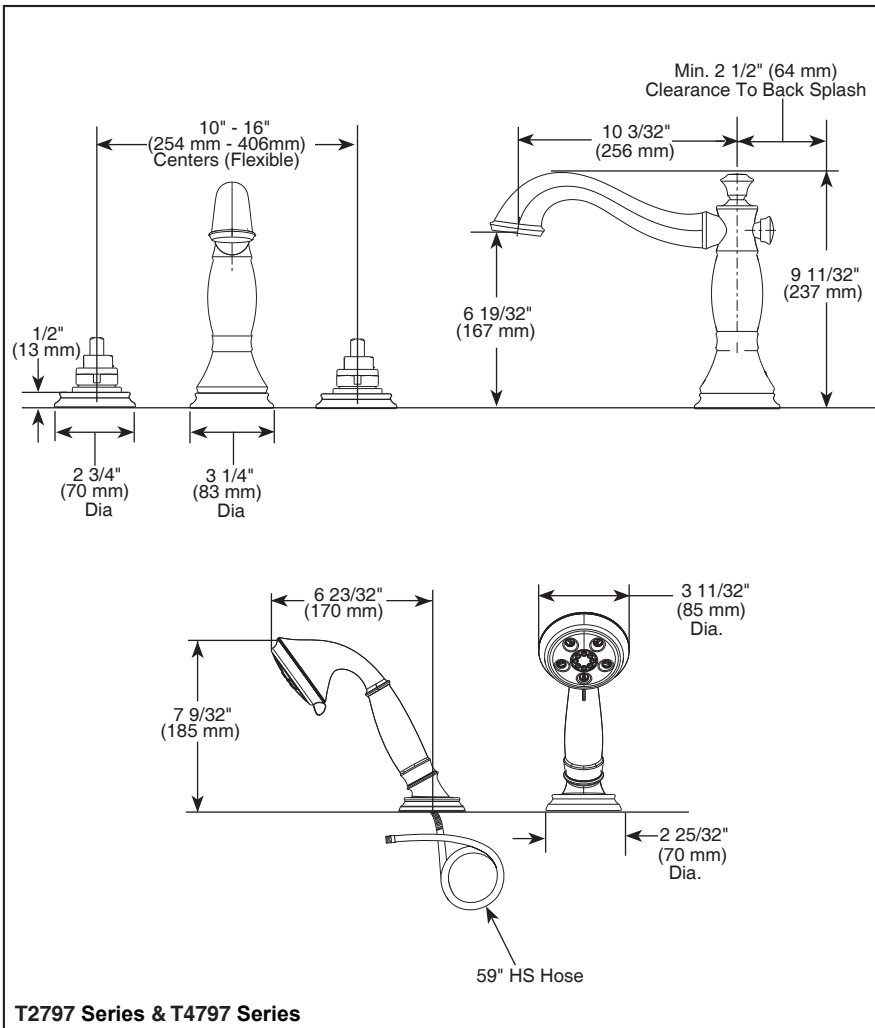
ROMAN TUB/WHIRLPOOL FAUCET TRIM

- Cassidy™ Series
- Three Hole Installation (T2797 Series)
- Four Hole Installation (T4797 Series)
- Rough-In Kit Must Also be Ordered to Complete Installation (R4707 for four hole and R2707 for three hole)



Submitted Model No.: _____

Specific Features: _____



STANDARD SPECIFICATIONS:

- Trim Only for two handle Roman Tub faucet for concealed mounting.
- 10 3/32" (256 mm) long, 9 11/32" (237 mm) high slip-on rigid spout.
- Temperature and volume controlled with handles.
- Rough-In kit must also be ordered to complete installation (R4707 for four hole and R2707 for three hole). There are separate specification sheets on each rough-in kit if more details are required.
- Three-setting H₂okinetic™ handshower - H₂okinetic spray, massage spray and pause.
- Handshower includes double check valves for backflow prevention (T4797 Series).
- LHP - Less Handle Program. See handle options below.
- Handshower flow rate 2.0 gpm @ 60 PSI.

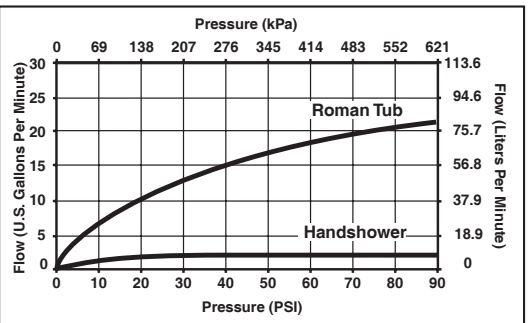
WARRANTY

- Lifetime Faucet and Finish Limited Warranty to the original consumer purchaser to be free from defects in material and workmanship.
- 5 Year Limited Warranty for usage in all industrial, commercial and business applications.

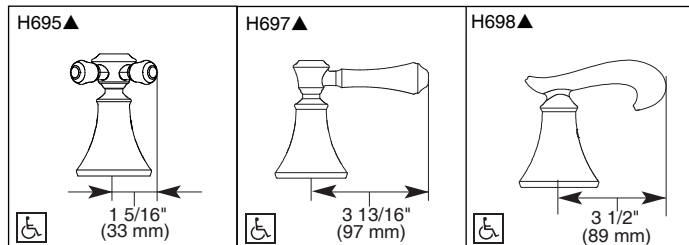


COMPLETE VALVE COMPLIES WITH:

- ASME A112.18.1 / CSA B125.1
- ♿ Indicates compliance to ICC/ANSI A117.1



Available LHP Handle Options



▲ Designate proper finish suffix

Delta reserves the right (1) to make changes in specifications and materials, and (2) to change or discontinue models, both without notice or obligation. Dimensions are for reference only. See current full-line price book or www.specselect.com for finish options and product availability.

DSP-B-T2797-LHP Rev.B



55 E. 111th Street, Indianapolis, Indiana 46280
350 South Edgeware Road, St. Thomas, Ontario Canada N5P 4L1
© 2012 Masco Corporation of Indiana