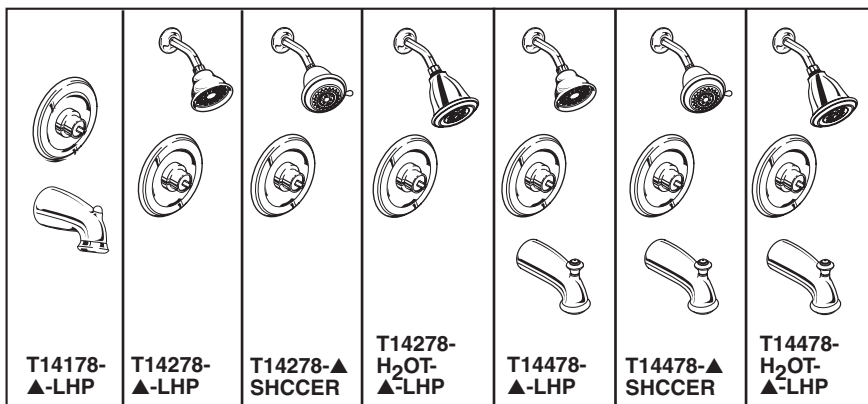




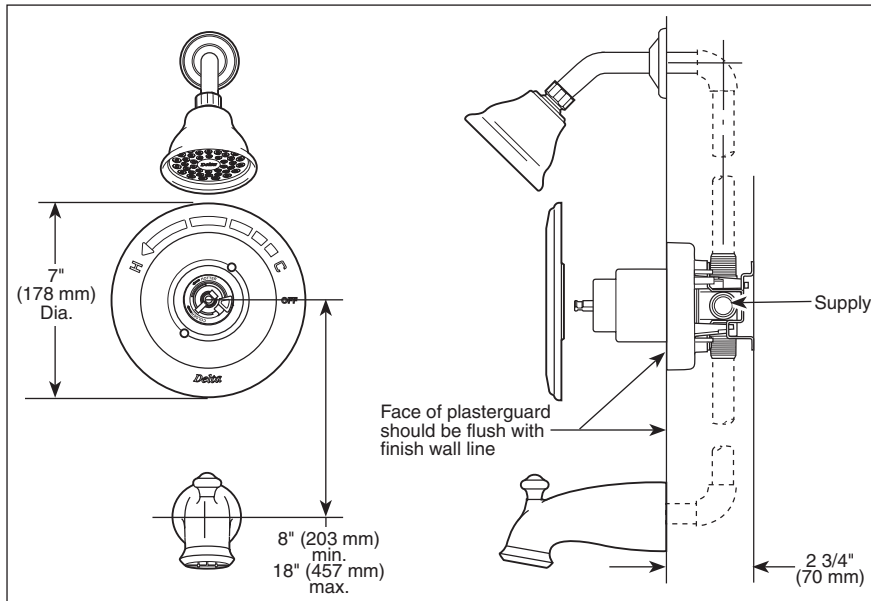
TUB AND SHOWER FAUCET TRIM



- Leland® Bath Series
- Tub Only (T14178-LHP Series)
- Shower Only (T14278-LHP Series)
- Tub/Shower (T14478-LHP Series)

Submitted Model No.: _____

Specific Features: _____



STANDARD SPECIFICATIONS:

- Monitor® 14 Series pressure balanced bath mixing valve with Scald-Guard®.
- Maintains a balanced pressure of hot and cold water even when a valve is turned on or off elsewhere in the system.
- For use with MultiChoice® Universal rough valve body. (R10000 Series)
- Back-to-back installation capability.
- Solid brass fabricated body.
- Temperature only controlled with handle.
- Field adjustable to limit handle rotation into hot water zone.
- 120° maximum handle rotation.
- All parts replaceable from the front of the valve.
- LHP - less handle program - see recommended handles below.
- Models with "CER" use ceramic cartridge RP74236.
- **Note:** Product will be marked with flow rate of specific showerhead.

WARRANTY

- Lifetime limited warranty on parts (other than electronic parts and batteries) and finishes: or, for commercial users, for 5 years from date of purchase.
- 5 year limited warranty on electronic parts (other than batteries); or, for commercial users, for 1 year from the date of purchase. No warranty is provided on batteries.



COMPLIES WITH:

- ASME A112.18.1 / CSA B125.1
- ASSE 1016
- Indicates compliance to ICC/ANSI A117.1

RP42915▲ (Pull-Up Diverter)

5 1/2" (140 mm)

2 3/4" (70 mm)

RP43165▲ (Non-Diverter)

5 1/2" (140 mm)

2 3/4" (70 mm)

RP43381▲ Touch-Clean® Raincan Showerhead

4 3/4" (121 mm)

4 7/8" (124 mm)

Full Body Spray

Massaging Spray

Full Spray w/Massage

Soft Drench Spray

Soft Drench Spray w/Massage

RP41589▲ Touch-Clean® Showerhead
2.0 or 2.5 GPM

2 7/8" (73 mm)

3 3/8" (86 mm)

Full Spray

H777▲

3 1/2" (89 mm)

H778▲

3 1/2" (89 mm)

RP54752▲ H₂O Showerhead
1.5 GPM

4 1/2" (114 mm)

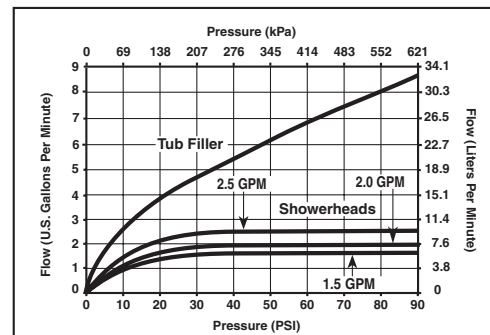
3 7/8" (98 mm)

Full Spray

▲ Designate proper finish suffix

Delta reserves the right (1) to make changes in specifications and materials, and (2) to change or discontinue models, both without notice or obligation. Dimensions are for reference only. See current full-line price book or www.deltafaucet.com for finish options and product availability.

DSP-B-T14178-LHP Rev. E



55 E. 111th Street, Indianapolis, Indiana 46280
350 South Edgeware Road, St. Thomas, ON N5P 4L1
© 2013 Masco Corporation of Indiana