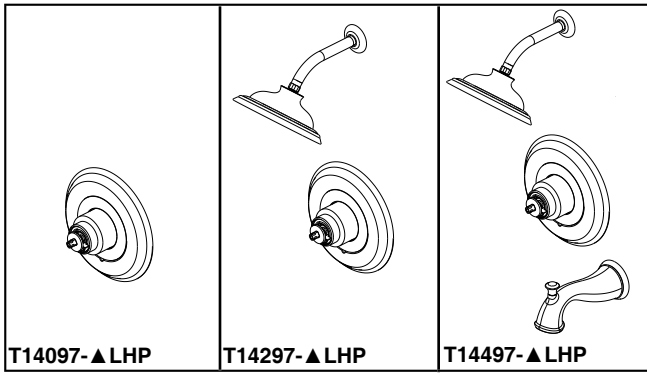




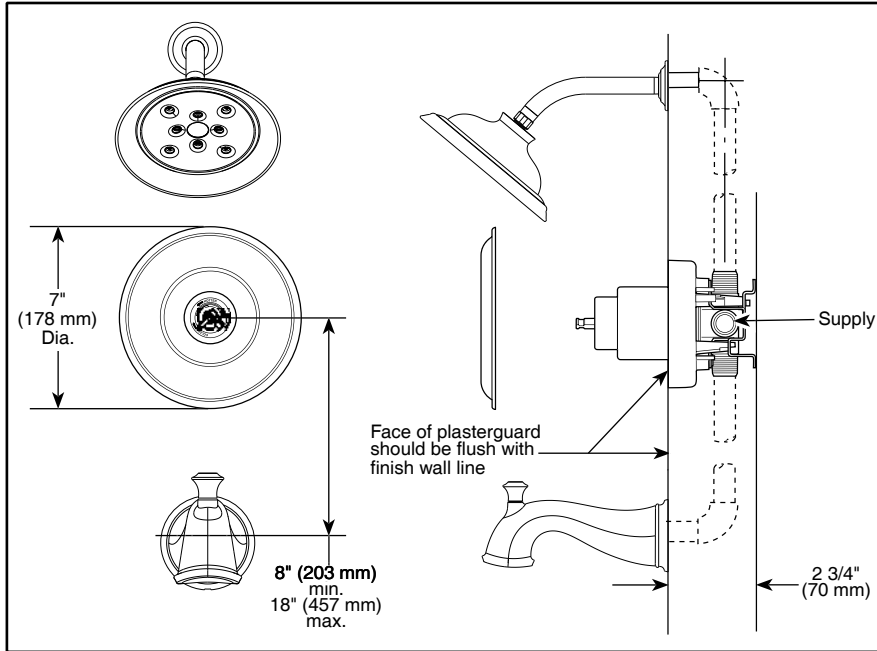
TUB AND SHOWER FAUCET TRIM



- Cassidy™ Series
- Valve Only (T14097 Series)
- Shower Only (T14297 Series)
- Tub/Shower (T14497 Series)

Submitted Model No.: _____

Specific Features: _____

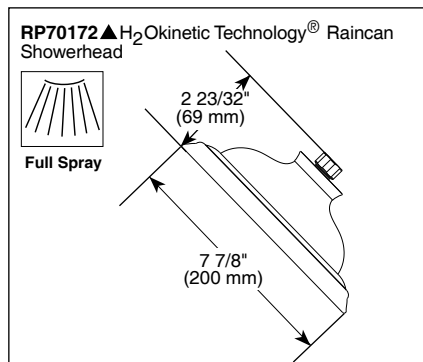
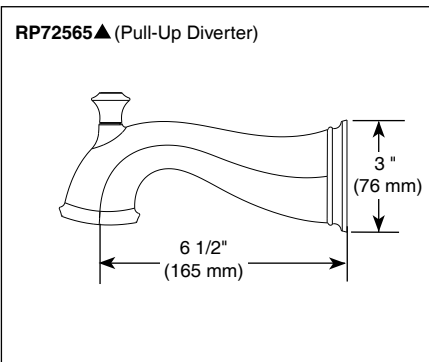


STANDARD SPECIFICATIONS:

- Monitor® 14 Series pressure balanced bath mixing valve with Scald-Guard®.
- Maintains a balanced pressure of hot and cold water even when a valve is turned on or off elsewhere in the system.
- Must also order MultiChoice® universal rough separately.
- Back-to-back installation capability.
- Solid brass fabricated body.
- Temperature only controlled with handle.
- Field adjustable to limit handle rotation into hot water zone.
- 120° maximum handle rotation.
- For use with automatic compensating valves rated at 7.48 L/min (1.92 gpm) or less.
- All parts replaceable from the front of the valve.
- LHP - less handle program - see recommended handle options below.
- H₂Okinetic Technology® 2.0 gpm max @ 80 PSI.

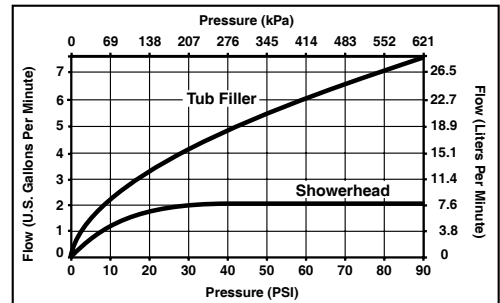
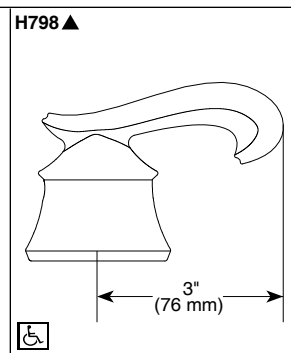
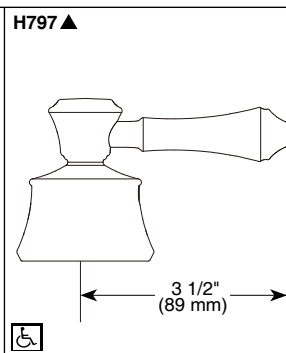
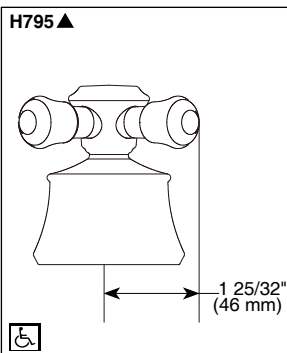
WARRANTY

- Lifetime Faucet and Finish Limited Warranty to the original consumer purchaser to be free from defects in material and workmanship.
- 5 Year Limited Warranty for usage in all industrial, commercial and business applications.



COMPLIES WITH:

- ASME A112.18.1 / CSA B125.1
- ASSE 1016
- Indicates compliance to ICC/ANSI A117.1
- EPA WaterSense



55 E. 111th Street, Indianapolis, Indiana 46280
 350 South Edgeware Road, St. Thomas, Ontario Canada N5P 4L1
 © 2012 Masco Corporation of Indiana

Available LHP Handle Options

▲ Designate Proper Finish Suffix

Delta reserves the right (1) to make changes in specifications and materials, and (2) to change or discontinue models, both without notice or obligation. Dimensions are for reference only. See current full-line price book or www.specselect.com for finish options and product availability.