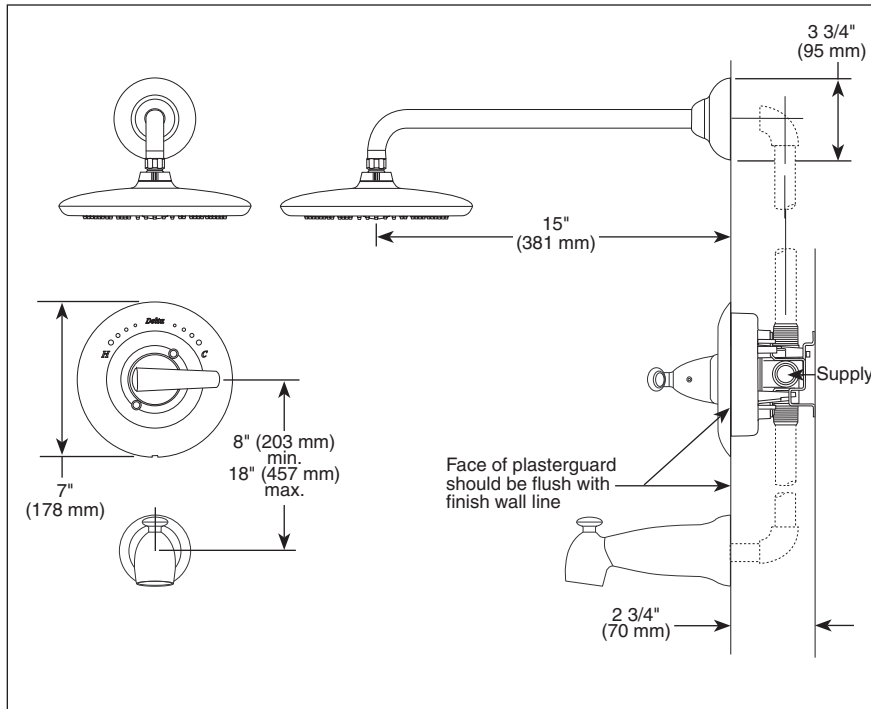
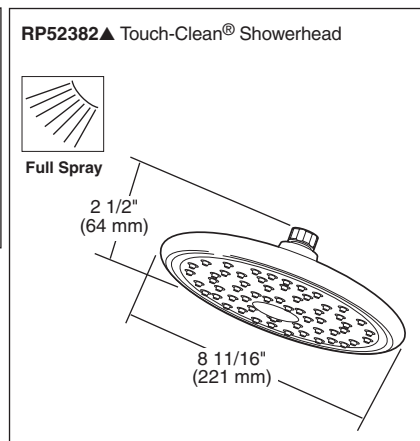
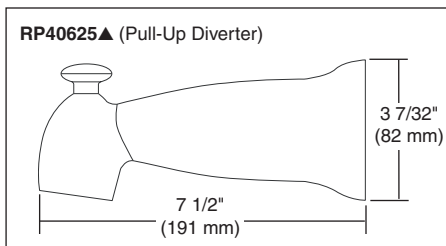


Submitted Model No.: _____

Specific Features: _____



▲ = Designate Proper Finish Suffix



TUB AND SHOWER FAUCET TRIM

- Rhythm® Series
- Valve Only (T14082)
- Shower Only (T14282)
- Tub/Shower (T14482)
- Single Handle

STANDARD SPECIFICATIONS:

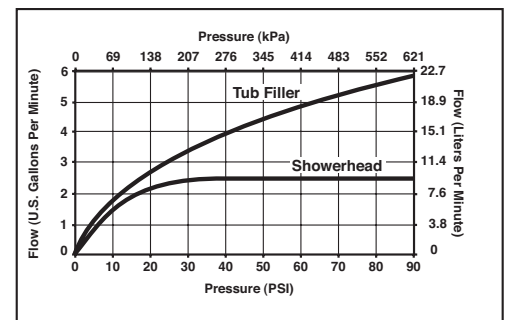
- Pressure balanced single handle bath mixing valve trim.
- Temperature only controlled with handle.
- Field adjustable to limit handle rotation into hot water zone.
- 120° maximum handle rotation.
- All parts replaceable from the front of the valve.
- For use with MultiChoice™ Universal rough valve body. (R10000 Series)
- Lever handle.

WARRANTY

- Lifetime Faucet and Finish Limited Warranty to the original consumer purchaser to be free from defects in material and workmanship.
- 5 Year Limited Warranty for usage in all industrial, commercial and business applications.

COMPLIES WITH:

- ASME A112.18.1 / CSA B125.1
- ASSE 1016
- Indicates compliance to ICC/ANSI A117.1
- Showerhead GSA A-A-240
- ASSE Seal Authorized



55 E. 111th Street, Indianapolis, Indiana 46280
 395 Matheson Blvd. E., Mississauga, ON L4Z 2H2
 © 2009 Masco Corporation of Indiana

Delta reserves the right (1) to make changes in specifications and materials, and (2) to change or discontinue models, both without notice or obligation. Dimensions are for reference only. See current full-line price book or www.specselect.com for finish options and product availability.