



Tub and Shower

TRIM ONLY for Single shower Unit
Requires separate order of R10000-UNWS Rough-in

Model No: T13H122

COMPLIES WITH:

- CSA certified.
- Complies to ASME Standard A112.18.1.
- IAPMO listed
- Pressure Balance Valve ASSE 1016
- Handshower back flow protection provided by two integral certified check valves in series, which operate independently, ASME A112.18.3 and ASME A112.18.1 / CSA B125.1
- (Contact Delta Representative for State and/or Local Approvals)
- Pressure Balance Handle ADA Compliant and meets Handicapped Accessibility Standard ANSI A117.1 of less than 5 lbs. operating force.

SPECIFICATION:

- Polished chrome plated finish
- Pressure Balance cartridge
- Limit stop for pre-setting Maximum temperature
- Integral checks in the cartridge prevent crossflow between Hot and Cold water inlets
- Non-Removable Blue/Red visual cover indicator for Cold, Mixing and Hot handle positions
- Handle#: 2 - Metal Lever Handle – ADA compliant - 85mm (3.33")
- 3-Function Touch-Clean Showerhead, Arm & Flange, 2.0 USGPM (7.6 L/min.)



OPERATION:

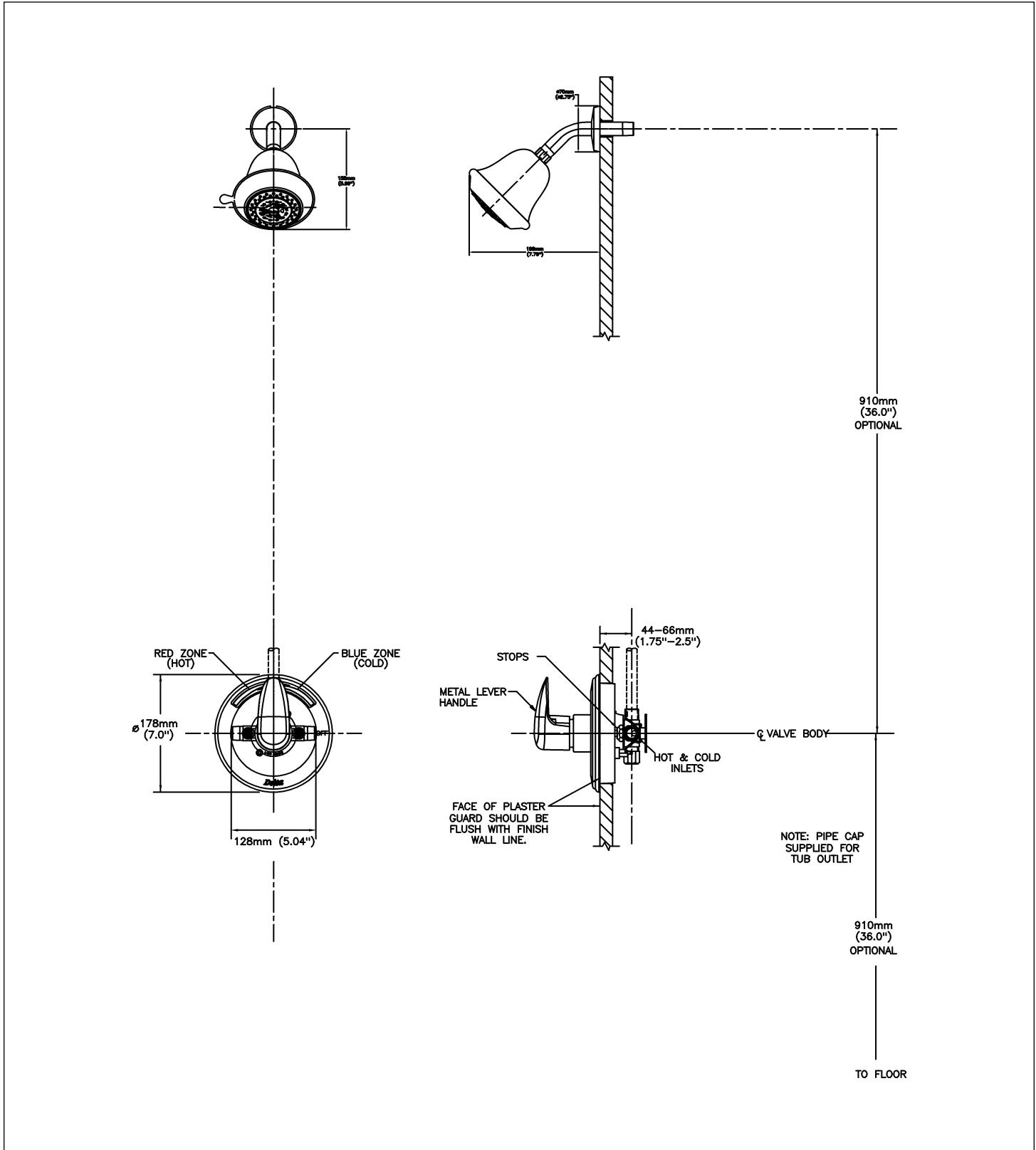
- Not Available

(Dimensional drawing on following page)

Delta reserves the right (1) to make changes to specifications and materials, and (2) to change or discontinue models, both without notice or obligation. Dimensions are for reference. Measurement may vary plus or minus 6mm(0.25"). Mounting locations are suggested only. Check with local codes for requirements in your area. This spec was produced November 30, 2011.

Delta Faucet Company - 55 East 111th St. - Indianapolis, Indiana, USA 46280 - (317) 848-1812
Delta Faucet Canada - 395 Matheson Blvd E - Mississauga, Ontario, Canada L4Z 2H2 - (905) 712-3030

Model No: T13H122



Delta reserves the right (1) to make changes to specifications and materials, and (2) to change or discontinue models, both without notice or obligation. Dimensions are for reference. Measurement may vary plus or minus 6mm(0.25"). Mounting locations are suggested only. Check with local codes for requirements in your area. This spec was produced November 30, 2011.

Delta Faucet Company - 55 East 111th St. - Indianapolis, Indiana, USA 46280 - (317) 848-1812
 Delta Faucet Canada - 395 Matheson Blvd E - Mississauga, Ontario, Canada L4Z 2H2 - (905) 712-3030