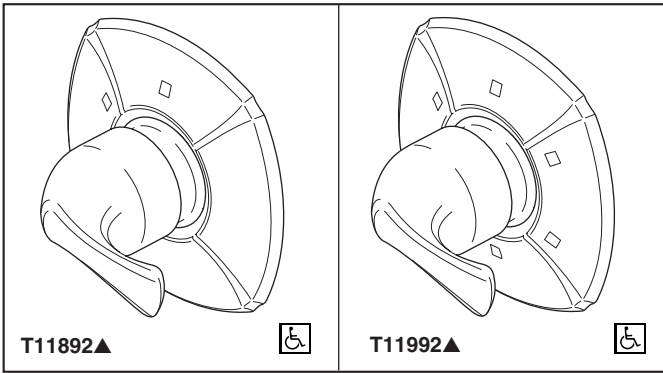




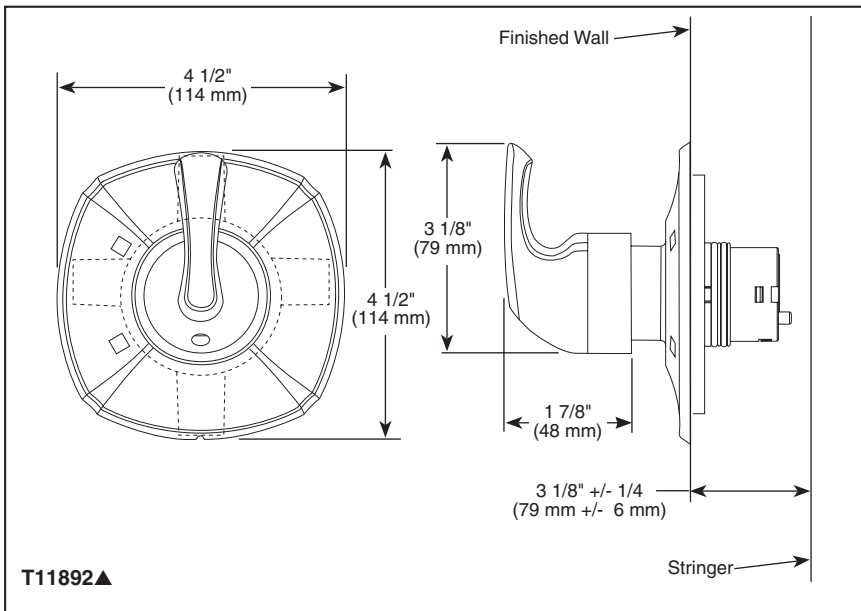
CUSTOM SHOWER DIVERTER

- Addison™ Collection
- Three Function Diverter Trim (T11892)
- Six Function Diverter Trim (T11992)
- Coordinates With All Delta Addison™ Styled Bath Suites



Submitted Model No.: _____

Specific Features: _____

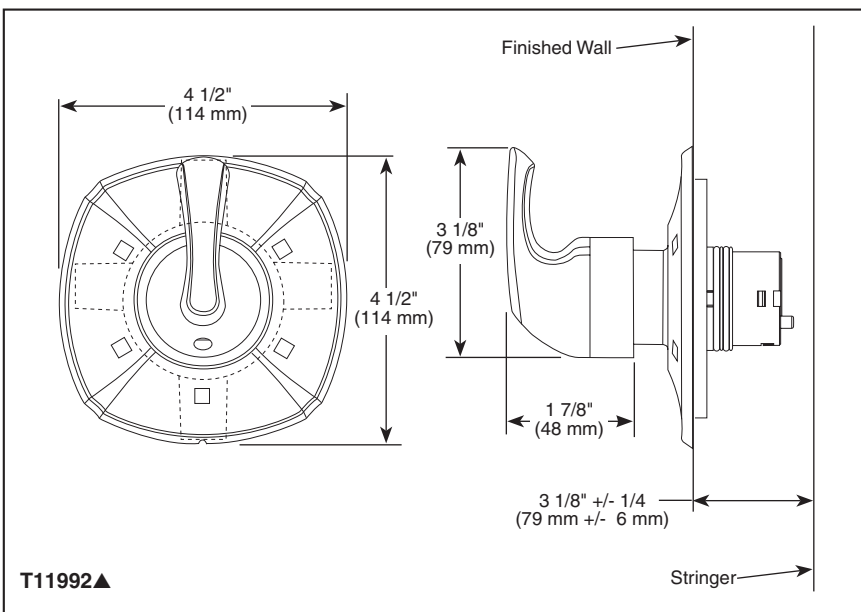


STANDARD SPECIFICATIONS


- Three function diverter. 2 individual positions, 1 shared position.
- Six function diverter. 3 individual positions, 3 shared positions.
- 1/2" rough-in.
- Must also order R1 1000 rough-in.

WARRANTY

- Lifetime Faucet and Finish Limited Warranty to the original consumer purchaser to be free from defects in material and workmanship.
- 5 Year Limited Warranty for usage in all industrial, commercial and business applications.



COMPLIES WITH:

- ASME A112.18.1 / CSA B125.1
- Indicates compliance to  ICC/ANSI A117.1
- IAPMO Listed
- CSA Certified

▲ Designate proper finish suffix

Delta reserves the right (1) to make changes in specifications and materials, and (2) to change or discontinue models, both without notice or obligation. Dimensions are for reference only. See current full-line price book or www.specselect.com for finish options and product availability.

DSP-B-T11892 Rev. A



55 E. 111th Street, Indianapolis, Indiana 46280
395 Matheson Blvd. E., Mississauga, ON L4Z 2H2
© 2010 Masco Corporation of Indiana