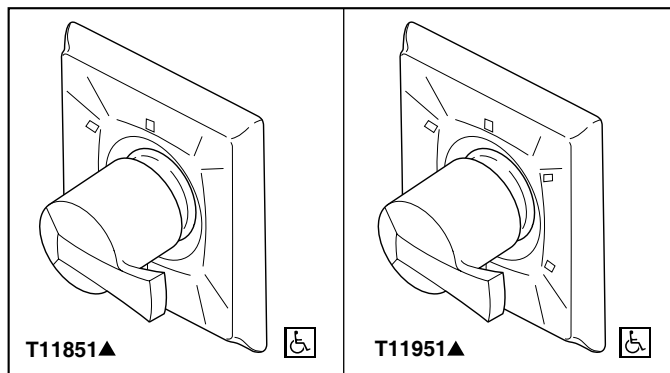




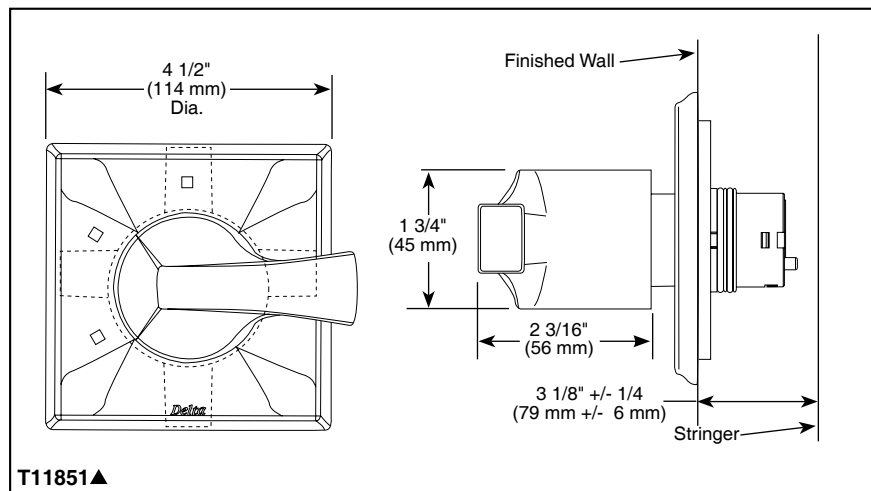
# CUSTOM SHOWER DIVERTER

- Dryden™ Collection
- Three Function Diverter Trim (T11851)
- Six Function Diverter Trim (T11951)
- Coordinates With All Delta Dryden™ Styled Bath Suites

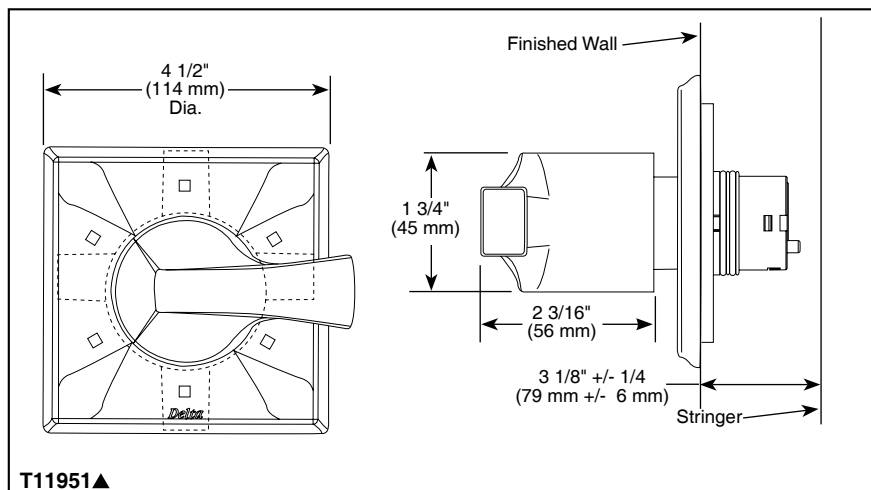


Submitted Model No.:

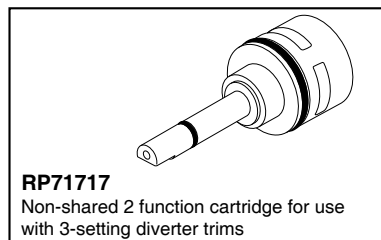
Specific Features:



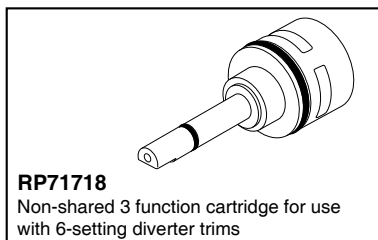
T11851▲



T11951▲



**RP71717**  
Non-shared 2 function cartridge for use with 3-setting diverter trims



**RP71718**  
Non-shared 3 function cartridge for use with 6-setting diverter trims

▲ Designate proper finish suffix

Delta reserves the right (1) to make changes in specifications and materials, and (2) to change or discontinue models, both without notice or obligation. Dimensions are for reference only. See current full-line price book or www.specselect.com for finish options and product availability.

DSP-B-T11851 Rev. B

## STANDARD SPECIFICATIONS

- Three function diverter 2 individual positions, 1 shared position.
- Six function diverter 3 individual positions, 3 shared positions.
- 1/2" rough-in.
- Must also order R11000 rough-in.
- Two individual positions, no shared positions order cartridge RP71717.
- Three individual positions, no shared positions order cartridge RP71718.

## WARRANTY

- Lifetime Faucet and Finish Limited Warranty to the original consumer purchaser to be free from defects in material and workmanship.
- 5 Year Limited Warranty for usage in all industrial, commercial and business applications.



## COMPLIES WITH:

- ASME A112.18.1 / CSA B125.1

♿ Indicates compliance to ICC/ANSI A117.1



55 E. 111th Street, Indianapolis, Indiana 46280  
350 South Edgeware Road, St. Thomas, Ontario Canada N5P 4L1  
© 2012 Masco Corporation of Indiana