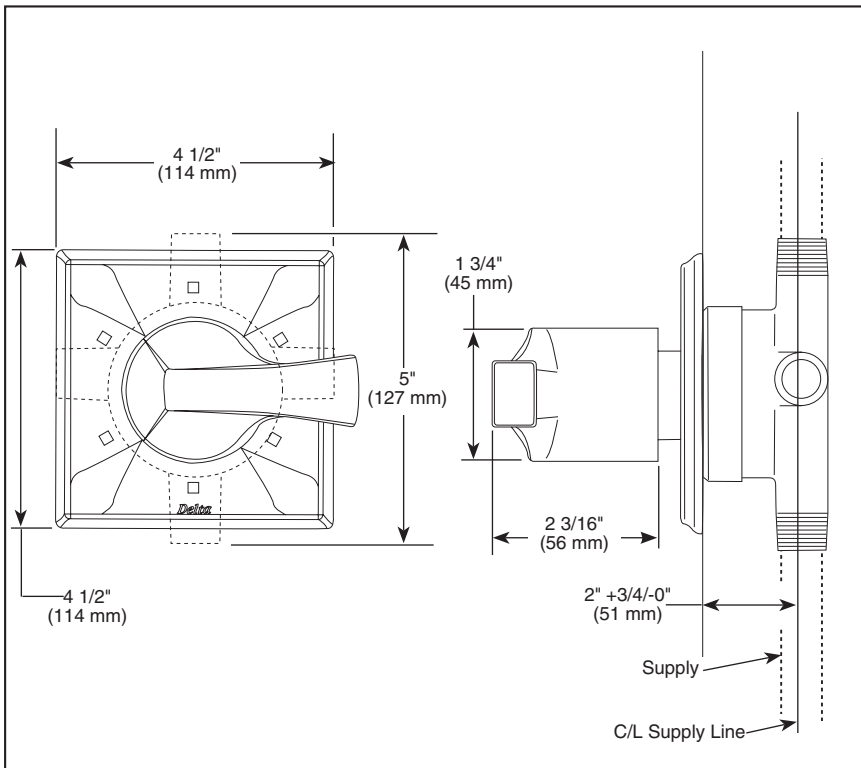


T11651



Submitted Model No.: _____

Specific Features: _____



CUSTOM SHOWER DIVERTER

- Dryden™ Collection
- Six Function Diverter
- 1/2" Rough-In
- Coordinates With All Delta Dryden™ Styled Bath Suites

STANDARD SPECIFICATIONS


- Six function diverter.
- 3 individual positions, 3 shared positions.
- 1/2" rough-in.

WARRANTY

- Lifetime Faucet and Finish Limited Warranty to the original consumer purchaser to be free from defects in material and workmanship.
- 5 Year Limited Warranty for usage in all industrial, commercial and business applications.



COMPLIES WITH:

- ASME A112.18.1 / CSA B125.1
-  Indicates ADA compliance to ICC/ANSI A117.1
- IAPMO Listed
- CSA Certified

Delta reserves the right (1) to make changes in specifications and materials, and (2) to change or discontinue models, both without notice or obligation. Dimensions are for reference only. See current full-line price book or www.specselect.com for finish options and product availability.

DSP-B-T11651 Rev. A



55 E. 111th Street, Indianapolis, Indiana 46280
395 Matheson Blvd. E., Mississauga, ON L4Z 2H2
© 2008 Masco Corporation of Indiana