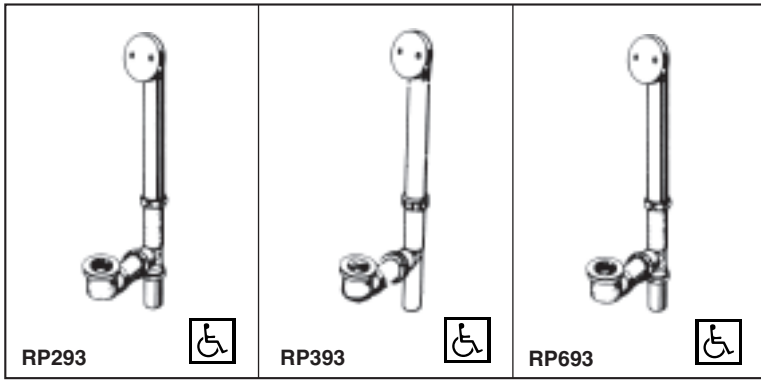




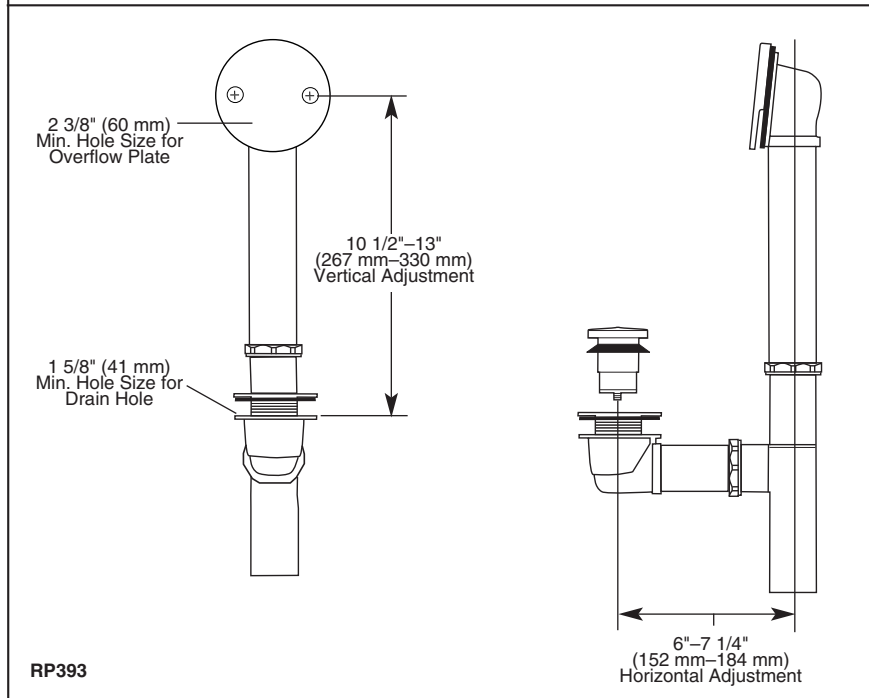
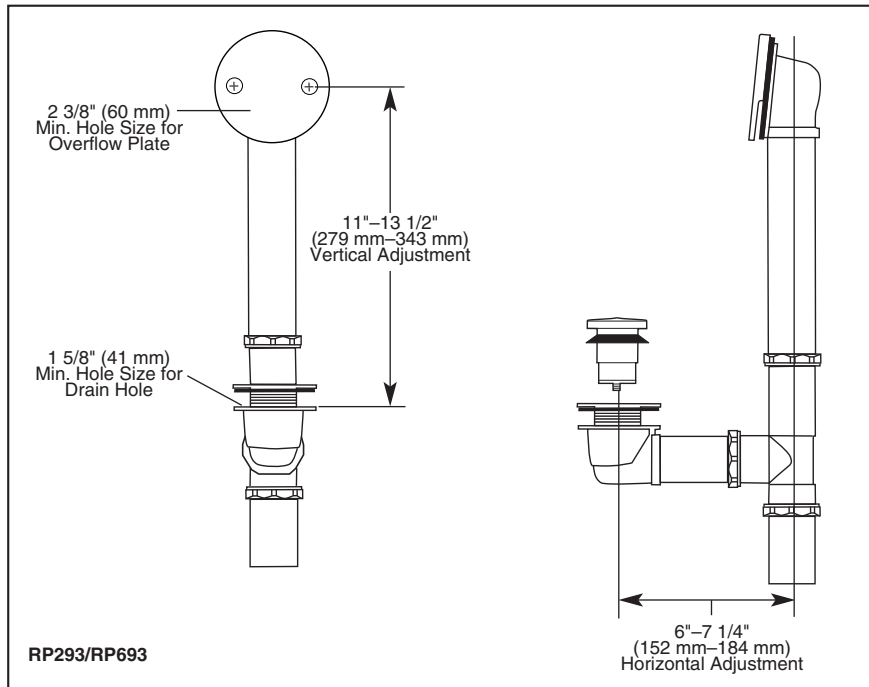
# BATH WASTE DRAINS

- Toe-Operated Drain
- 17 Gauge Brass (RP693 Series)
- 20 Gauge Brass (RP293)
- Polypropylene (RP393)
- 13 1/2" (343 mm) Maximum Vertical Adjustment
- 7 1/4" (184 mm) Maximum Horizontal Adjustment



Submitted Model No.: \_\_\_\_\_

Specific Features: \_\_\_\_\_



### STANDARD SPECIFICATIONS:

- Plated brass overflow plate.
- Drain mechanism shall be a toe operated device.
- All materials in drain line and built-in portion of fitting shall be resistant to corrosion.
- Brass construction (RP293 and RP693 series) or polypropylene construction (RP393).
- Slip joints provided in the drain and overflow lines.
- Leakage past stopper when closed shall not exceed one (1) U.S. gallon per hour at a pressure of six-inch water column.
- All moveable parts must be capable of being repaired by being removable from the drain body.
- All exposed external surfaces must be corrosion resistant.

### WARRANTY

- Lifetime Faucet and Finish Limited Warranty to the original consumer purchaser to be free from defects in material and workmanship.
- 5 Year Limited Warranty for usage in all industrial, commercial and business applications.

### COMPLIES WITH:

- ☑ Indicates compliance to ICC/ANSI A117.1
- ASTM F409 (RP393)



55 E. 11th Street, Indianapolis, Indiana 46280  
 395 Matheson Blvd. E., Mississauga, ON L4Z 2H2  
 © 2008 Masco Corporation of Indiana

Delta reserves the right (1) to make changes in specifications and materials, and (2) to change or discontinue models, both without notice or obligation. Dimensions are for reference only. See current full-line price book or [www.specselect.com](http://www.specselect.com) for finish options and product availability.