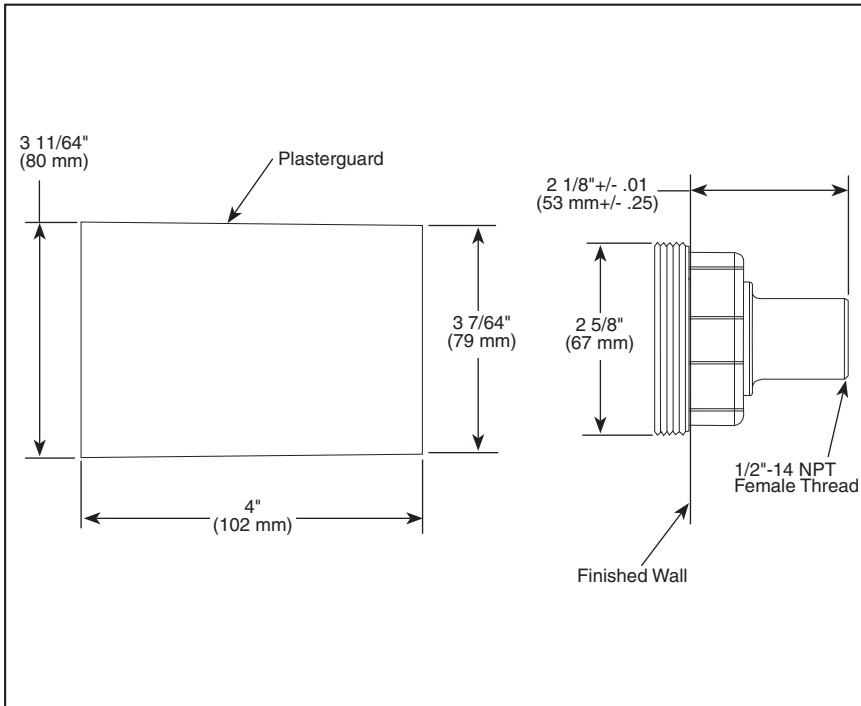


R50001

Submitted Model No.: _____

Specific Features: _____



BODY SPRAY ROUGH

- H₂Okinetic Body Spray Rough
- 1/2" Rough-In

STANDARD SPECIFICATIONS

- 1/2" rough-in with recessed mounting.
- Requires T50001 body spray trim.
- Required at rough-in to ensure proper installation depth with finished wall.
- Rough opening must be a minimum of 2 5/8" diameter.
- Test plug included.
- Previously shipped as complete unit 50000 series.

WARRANTY

- Lifetime Faucet and Finish Limited Warranty to the original consumer purchaser to be free from defects in material and workmanship.
- 5 Year Limited Warranty for usage in all industrial, commercial and business applications.



COMPLIES WITH:

- ANSI/ASME A112.18.1 / CSA B125.1

Delta reserves the right (1) to make changes in specifications and materials, and (2) to change or discontinue models, both without notice or obligation. Dimensions are for reference only. See current full-line price book or www.specselect.com for finish options and product availability.

BSP-B-R50001 Rev. A



55 E 111th Street, Indianapolis, Indiana 46280
 395 Matheson Blvd. E., Mississauga, ON L4Z 2H2
 © 2010 Masco Corporation of Indiana