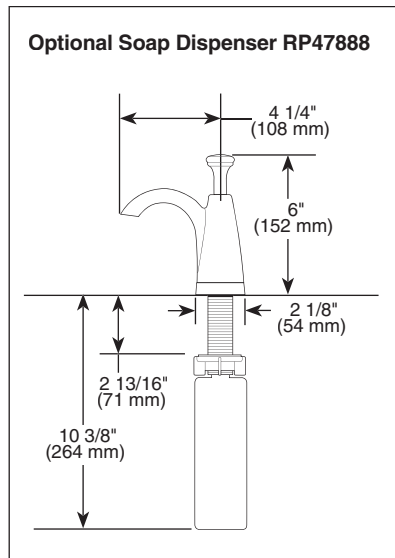
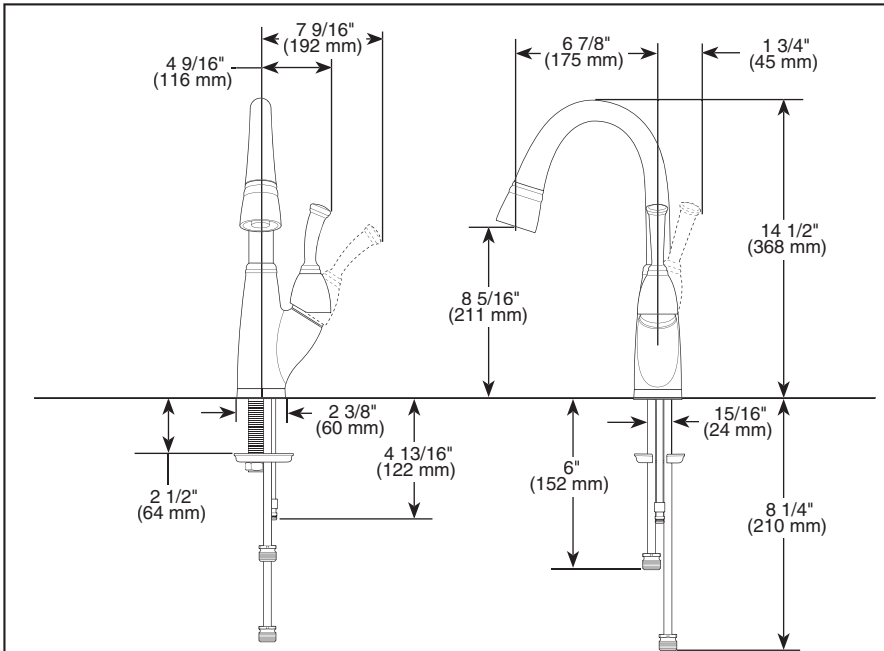


Submitted Model No.: _____
 Specific Features: _____



BAR / PREP SINK FAUCETS

- Allora™ Collection
- Single Handle Deck Mount Pull-Down
- Single or 2 Hole Sink Applications
- Optional Soap Dispenser

STANDARD SPECIFICATIONS:

- Solid brass fabricated body.
- 14 1/2" (368 mm) high, 6 7/8" (175 mm) long, spout swings 360°.
- Lever handle. Control mechanism is the rotating stainless steel ball type with replaceable non-metallic seats operating in stainless steel lined sockets.
- Control shall return to neutral position when faucet is turned off.
- Single function spray head.
- Quick connect hoses.
- Magnetic docking system secures sprayer to spout.
- Red/Blue graphics on handle button to indicate hot/cold temperature.
- Integral double check valves in sprayer assembly.
- Integral hose lead to aide installation.
- Spacer for mounting nut to reduce number of turns required for installation.
- Mounting wrench to assist in tightening mounting nut securely.
- Hose travels inside mounting shank so it will not interfere with deck edges.
- Keyed trim ring to help alignment and aid installation.

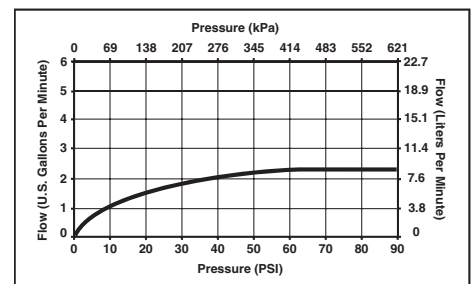
WARRANTY

- Lifetime Faucet and Finish Limited Warranty to the original consumer purchaser to be free from defects in material and workmanship.
- 5 Year Limited Warranty for usage in all industrial, commercial and business applications.



COMPLIES WITH:

- ASME A112.18.1 / CSA B125.1
- Indicates ADA compliance to ICC/ANSI A117.1/ADA



Indianapolis, Indiana 46280
 A Division of Masco Corporation of Indiana
 © 2006 Masco Corporation of Indiana

Delta reserves the right (1) to make changes in specifications and materials, and (2) to change or discontinue models, both without notice or obligation. Dimensions are for reference only. See current full-line price book for finish options and product availability.