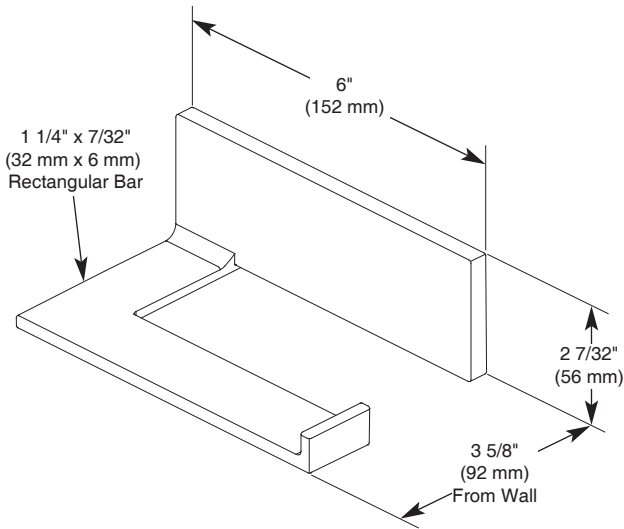
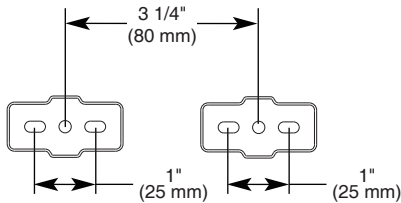


Submitted Model No.: _____

Specific Features: _____



Mounting Specifications



▲ Designate proper finish suffix



ACCESSORIES

- Vero™ Bath Collection
- Tissue Holder

STANDARD SPECIFICATIONS:

- Wood blocking is preferable behind all wall surfaces. If wood blocking is not available, the following fasteners are suggested: Tile/Masonry-Plastic or lead Anchors Plaster/drywall-Toggle bolts.
- Mounting hardware and mounting instructions included with product.

WARRANTY

- Lifetime Faucet and Finish Limited Warranty to the original consumer purchaser to be free from defects in material and workmanship.
- 5 Year Limited Warranty for usage in all industrial, commercial and business applications.

Delta reserves the right (1) to make changes in specifications and materials, and (2) to change or discontinue models, both without notice or obligation. Dimensions are for reference only. See full-line price book or www.specselect.com for finish options and product availability.

DSP-A-77750 Rev. C



55 E. 111 Street, Indianapolis, Indiana, 46280
 350 South Edgeware Road,
 St. Thomas, Ontario, Canada N5P 4C4
 © 2011 Masco Corporation of Indiana