

LAVATORY FAUCETS

- Victorian® Bath Collection
- Single Handle Deck Mount
- Single or 3 Hole Sink Applications
- Single Hole Riser Model

Submitted Model No.: _____

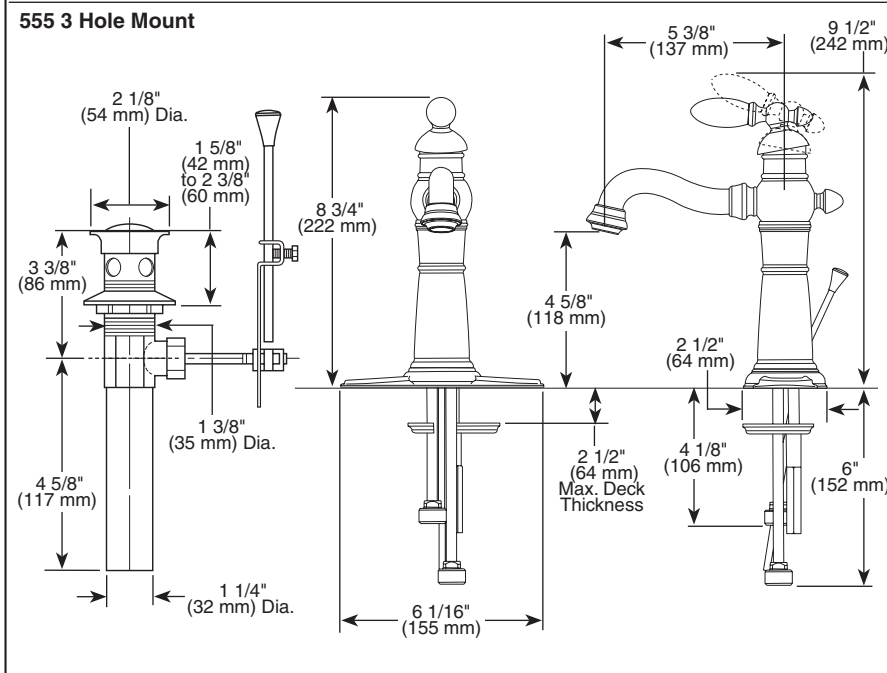
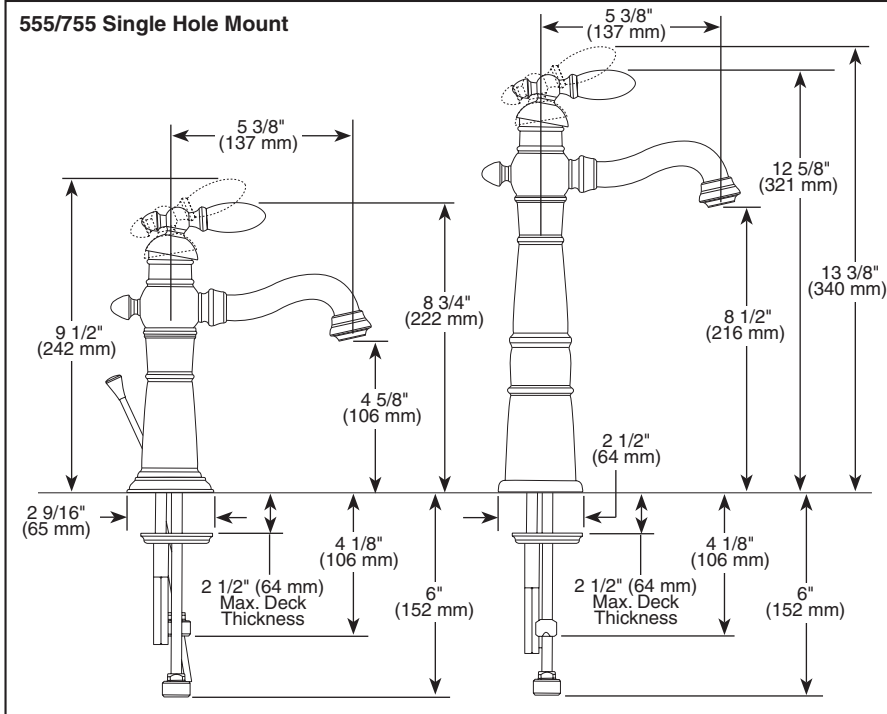
Specific Features: _____

STANDARD SPECIFICATIONS:

- Solid brass fabricated body.
- Centermount or 4" (102 mm) centers with optional 6 1/16" (155 mm) escutcheon.
- Lever handle. Control mechanism is replaceable cartridge with ceramic plates.
- Keyed trim ring and 6 1/16" (155 mm) escutcheon to help alignment and aid installation.
- 1/2" NPSM threaded male inlet shanks.
- Models have metal drain with pop-up type fitting with plated flange and stopper.

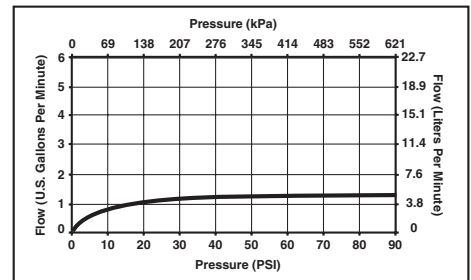
WARRANTY

- Lifetime Faucet and Finish Limited Warranty to the original consumer purchaser to be free from defects in material and workmanship.
- 5 Year Limited Warranty for usage in all industrial, commercial and business applications.



COMPLIES WITH:

- ASME A112.18.1 / CSA B125.1
- ASME A112.18.2 / CSA B125.2
- Indicates ADA compliance to ICC/ANSI A117.1/ADA
- IAPMO Listed
- CSA Certified



Delta reserves the right (1) to make changes in specifications and materials, and (2) to change or discontinue models, both without notice or obligation. Dimensions are for reference only. See current full-line price book or www.specselect.com for finish options and product availability.

55 E 111th Street, Indianapolis, Indiana 46280
395 Matheson Blvd. E., Mississauga, ON L4Z 2H2
© 2008 Masco Corporation of Indiana