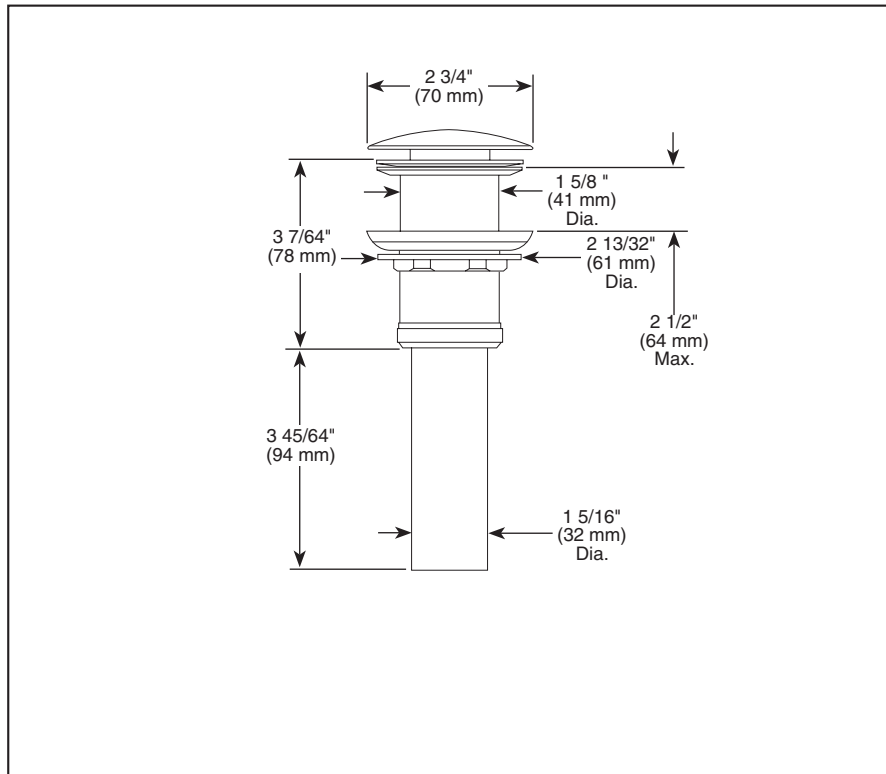


Submitted Model No.: _____
 Specific Features: _____



▲ Designate Proper Finish Suffix



PUSH POP ASSEMBLY

■ Push Pop Assembly Less Overflow Holes

STANDARD SPECIFICATIONS:

- All metal construction push pop.
- Tailpiece chrome plated for all finishes.
- For use with sinks without overflow.

WARRANTY

- Lifetime Faucet and Finish Limited Warranty to the original consumer purchaser to be free from defects in material and workmanship.
- 5 Year Limited Warranty for usage in all industrial, commercial and business applications.



COMPLIES WITH:

- ASME A112.18.2 / CSA B125.2

