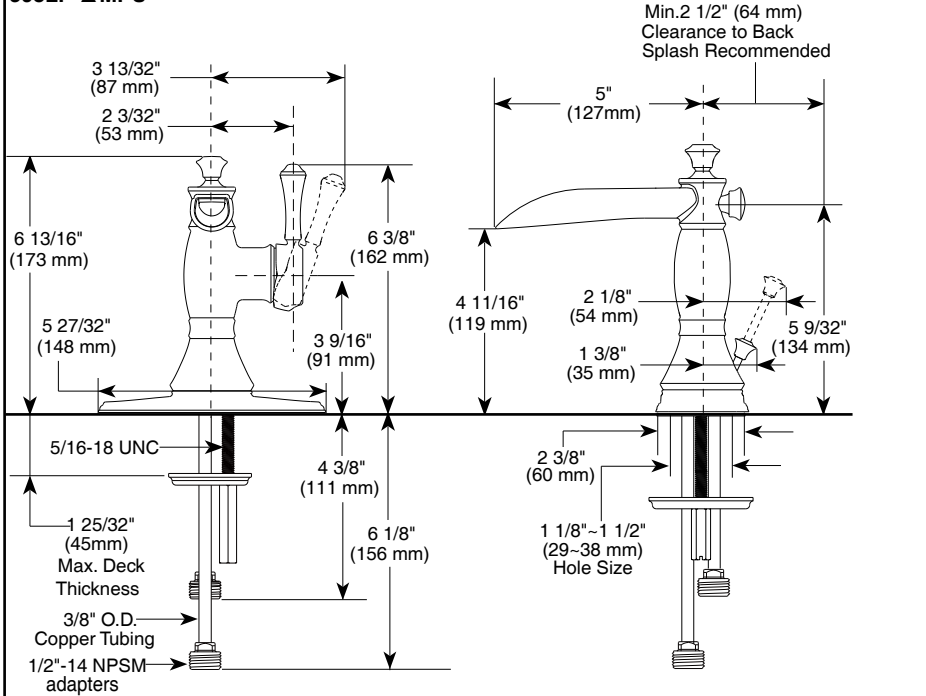


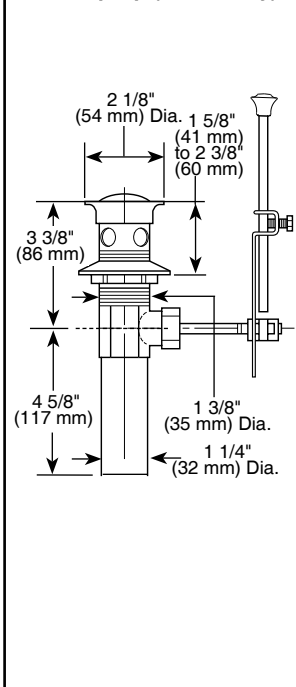
Submitted Model No.:

Specific Features:

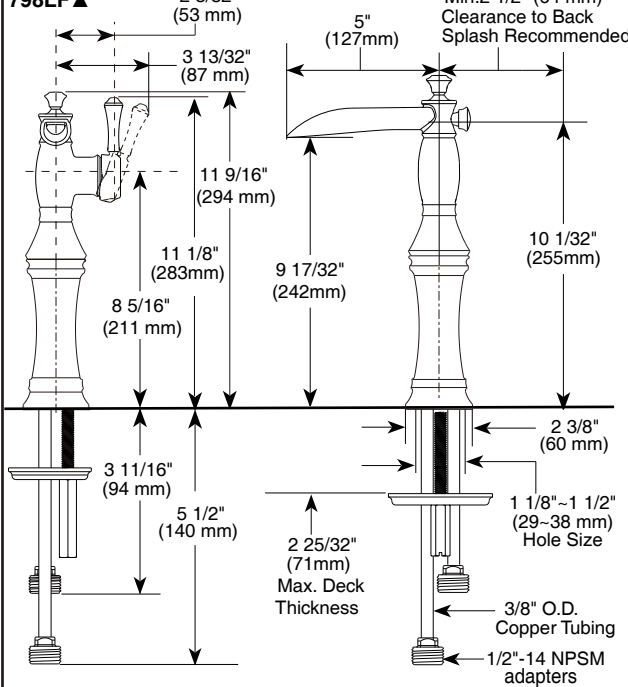
598LF-▲ MPU



Metal Pop-Up (598LF only)



798LF▲



LAVATORY FAUCETS

- Cassidy™ Series
- Single Handle Deck Mount
- Single or 3 Hole Sink Applications
- Single Hole Riser Models

STANDARD SPECIFICATIONS

- Single handle lavatory faucets for exposed mounting on single or 3 hole sinks.
- Solid brass fabricated body.
- 6 13/16" (173 mm) high, 5" (127 mm) long, spout with model 598LF.
- 11 9/16" (294 mm) high, 5" (127 mm) long, spout with model 798LF.
- Lever handle. Control mechanism is replaceable cartridge with ceramic plates.
- Centermount or 4" (102 mm) centers with optional 5 27/32" (148 mm) escutcheon.
- Keyed trim ring and 5 27/32" (148 mm) escutcheon to help alignment and aid installation.
- 1/2" NPSM threaded male inlet shanks.
- Models have metal drain with pop-up type fitting with plated flange and stopper (598LF only).
- Mounting wrench to assist in tightening mounting nut securely.
- Thin deck mounting aid to help secure product if used on thin sinks.
- Maximum flow rate 1.5 gpm @ 60 PSI.

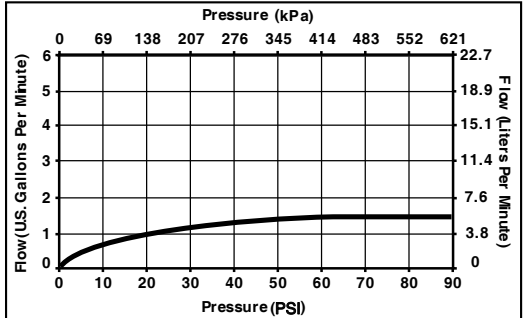
WARRANTY

- Lifetime Faucet and Finish Limited Warranty to the original consumer purchaser to be free from defects in material and workmanship.
- 5 Year Limited Warranty for usage in all industrial, commercial and business applications.



COMPLIES WITH:

- ASME A112.18.1 M / CSA B125.1
 - Indicates compliance to ICC/ANSI A17.1
 - EPA WaterSense
- Verified compliant with 0.25% weighted average Pb content regulations.



55 E. 111th Street, Indianapolis, Indiana 46280
 350 South Edgeware Road, St. Thomas, Ontario Canada N5P 4L1
 © 2012 Masco Corporation of Indiana

▲ Designate proper finish suffix
 Delta reserves the right (1) to make changes in specifications and materials, and (2) to change or discontinue models, both without notice or obligation. Dimensions are for reference only. See full-line price book or www.specselec.com for finish options and product availability.
 DSP-L-598LF Rev. B