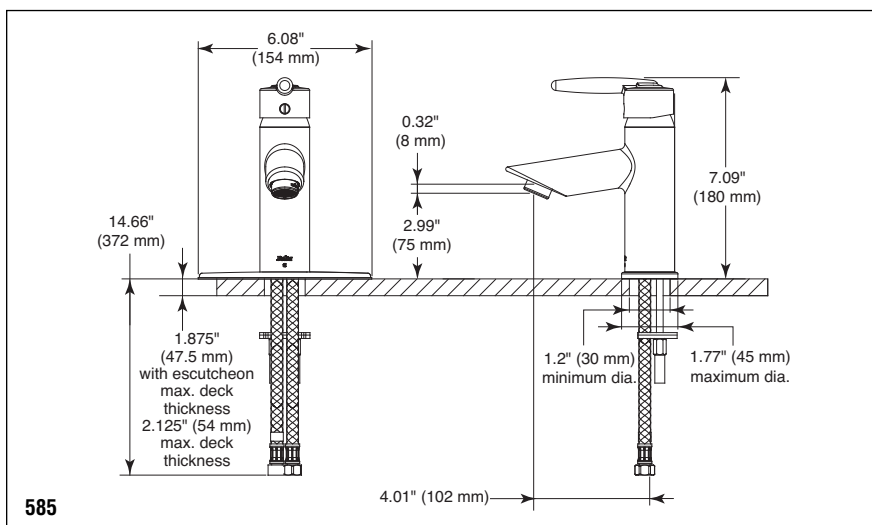
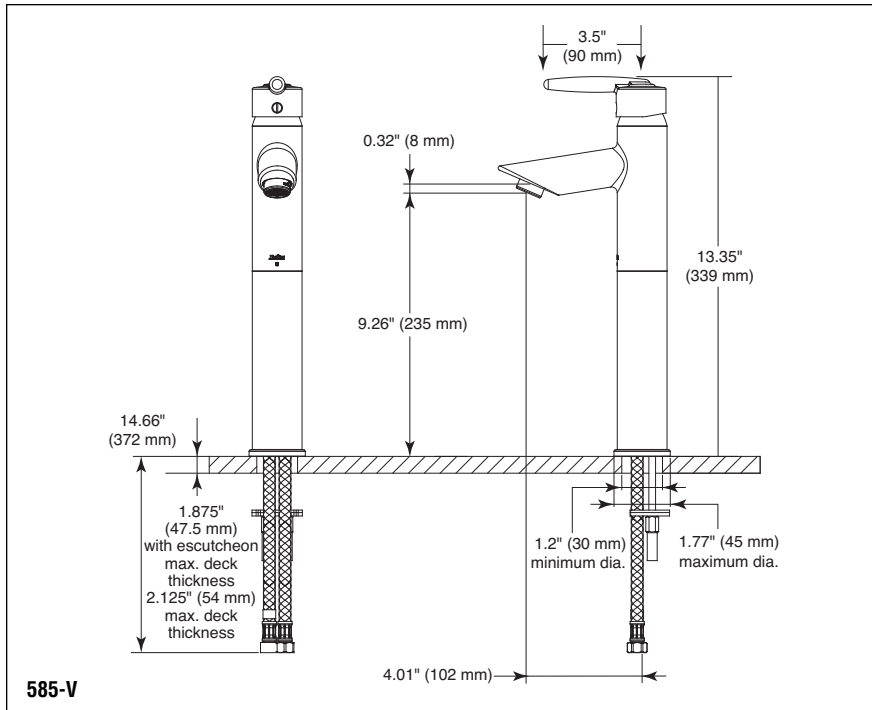


Submitted Model No.: _____

Specific Features: _____



LAVATORY FAUCETS

- Grail™ Series
- Single Handle
- Deck Mount
- 1 or 3 Hole Sink Applications

STANDARD SPECIFICATIONS:

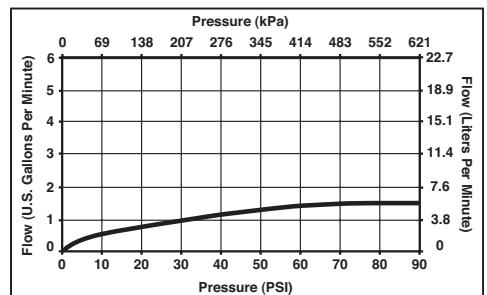
- Single handle lavatory faucet.
- Ceramic cartridge with high temperature rotational limit stop.
- Cast centerset with 50/50 Pop-Up (585) or push button pop up (585-V).
- 1 or 3 hole installation.
- 3.6" (90 mm) long reach on spout.
- Maximum 2.13" (56 mm) deck thickness.
- Colour coded plug button on handle for hot/cold identification.
- Handle: 3.5" (89 mm) lever handle - ADA compliant-colour indexed.

WARRANTY

- Lifetime Faucet and Finish Limited Warranty to the original consumer purchaser to be free from defects in material and workmanship.
- 5 Year Limited Warranty for usage in all industrial, commercial and business applications.

COMPLIES WITH:

- CSA Certified
- Complies to ANSI/ASME Standard A112.18.1M
- ADA Compliant and meets Handicapped Accessibility. Standards ICC/ANSI 117.1
- NSF 61
- EPA WaterSense



Delta reserves the right (1) to make changes in specifications and materials, and (2) to change or discontinue models, both without notice or obligation. Dimensions are for reference only. See current full-line price book or www.specselect.com for finish options and product availability.

DSP-L-585 Rev. C

55 E. 111th Street, Indianapolis, Indiana 46280
 395 Matheson Blvd. E., Mississauga, ON L4Z 2H2
 © 2007 Masco Corporation of Indiana