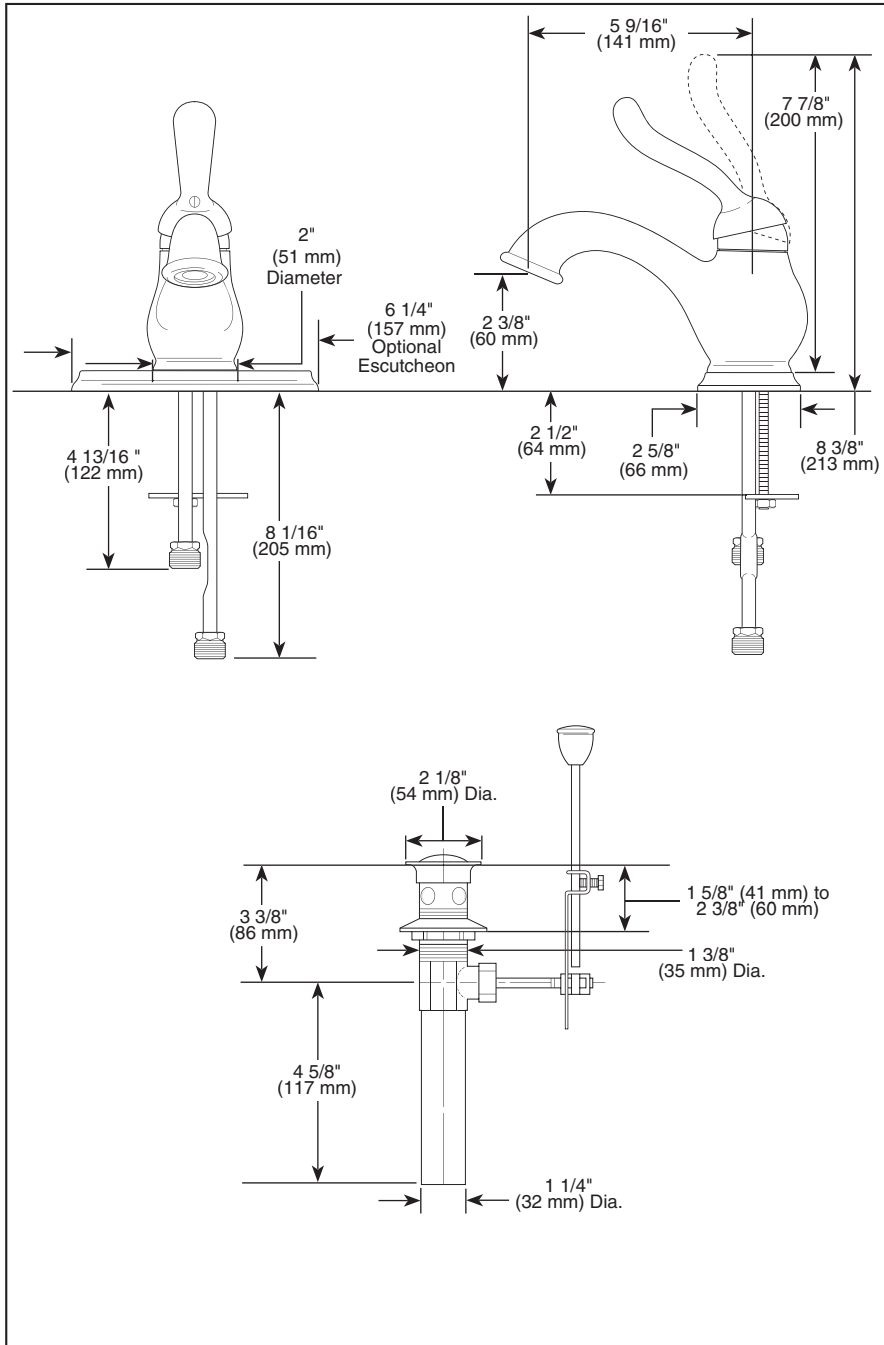


Submitted Model No.: _____
 Specific Features: _____



LAVATORY FAUCETS

- Leland™ Collection
- Single Handle Deck Mount
- 1 or 3 Hole Mount
(Optional 6 1/4" Escutcheon Included)

STANDARD SPECIFICATIONS:

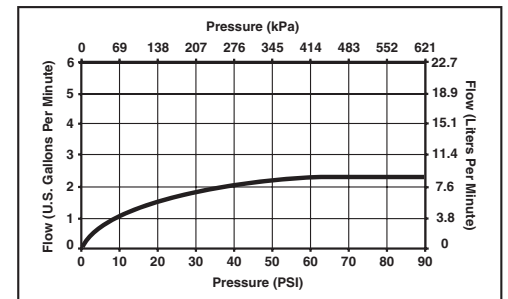
- Single handle lavatory deck faucet.
- 1 or 3 hole mount (6 1/4" escutcheon plate included).
- Solid brass fabricated body.
- 5 9/16" (141 mm) long spout.
- 1 1/8" minimum - 1 1/2" maximum hole size.
- Lever handle. Control mechanism is the rotating stainless steel ball type with replaceable non-metallic seats operating in stainless steel lined sockets.
- Control handle shall return to neutral position when valve is turned off.
- Models have 3/8" O.D. copper supply tubes - 5 13/16" (148 mm) long with 1/2"-14 NPSM adapters.
- Models include metal drain with pop-up type fitting with plated flange and stopper.

WARRANTY

- Lifetime Faucet and Finish Limited Warranty to the original consumer purchaser to be free from defects in material and workmanship.
- 5 Year Limited Warranty for usage in all industrial, commercial and business applications.

COMPLIES WITH:

- ASME A112.18.1 / CSA B125.1
- ASME A112.18.2 / CSA B125.2
- Indicates ADA compliance to ICC/ANSI A117.1/ADA
- IAPMO Listed
- CSA Certified



55 E. 111th Street, Indianapolis, Indiana 46280
 395 Matheson Blvd. E., Mississauga, ON L5Z 2H2
 © 2007 Masco Corporation of Indiana

Delta reserves the right (1) to make changes in specifications and materials, and (2) to change or discontinue models, both without notice or obligation. Dimensions are for reference only. See current full-line price book or www.specselect.com for finish options and product availability.