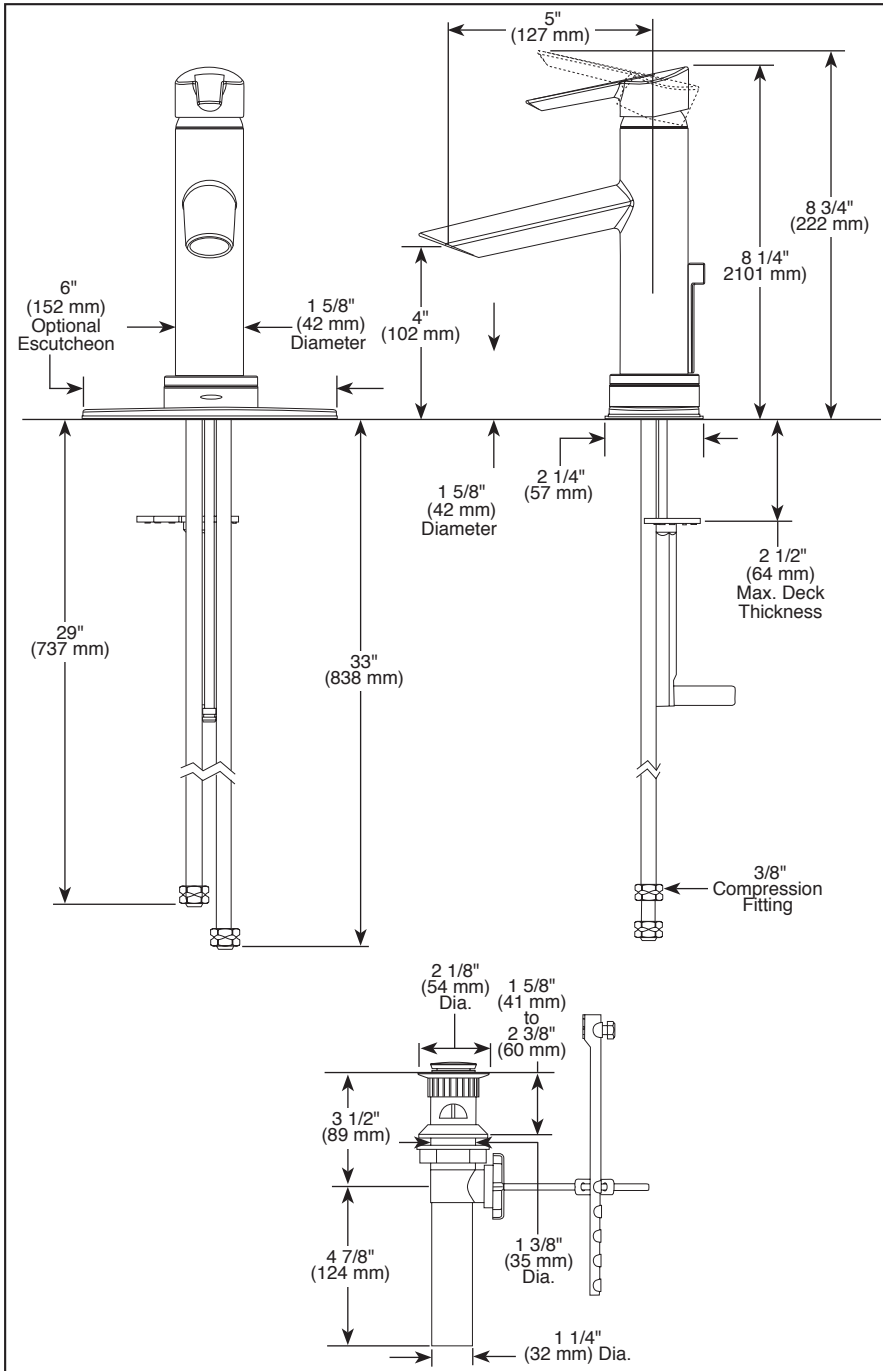


Submitted Model No.: _____

Specific Features: _____



▲ Designate Proper Finish Suffix

Delta reserves the right (1) to make changes in specifications and materials, and (2) to change or discontinue models, both without notice or obligation. Dimensions are for reference only. See current full-line price book or www.deltafaucet.com for finish options and product availability.

DSP-L-561T-DST Rev. B



LAVATORY FAUCETS

- Compel™ Collection
- DIAMOND Seal® Technology
- Single Handle Deck Mount
- 1 or 3 Hole Sink Mount
(Optional 6" Escutcheon Included)
- Touch2O.xt™ Technology

STANDARD SPECIFICATIONS:

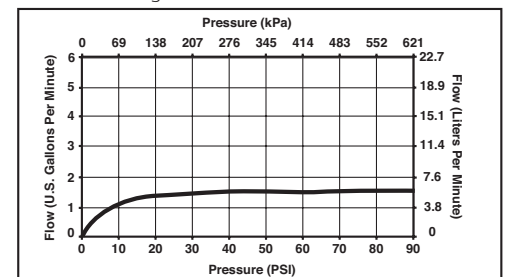
- 1 or 3 hole installation.
- Lever handle. Control mechanism is the diamond embedded ceramic disc cartridge.
- 5" (127 mm) long reach on spout.
- 1 1/8" minimum - 1 1/2" maximum hole size.
- Red/blue markings on handle for hot/cold identification.
- Handle motion "Euro Style".
- 3/8" O.D. straight, staggered pex supply tubes 29" (737 mm) and 33" (838 mm) long.
- Maximum flow rate 1.5 gpm @ 60 PSI.
- Models include polypropylene pop-up.
- Delta Touch2O.xt™ Technology offers both touch and proximity sensing technology to control water flow.
- Red/Blue indicator light signals on-off, water temperature and when batteries run low.
- Uses 6 AA batteries (included) or 6 C (optional) batteries.
- Optional 120V AC adapter available (3 prong grounded outlet required).

WARRANTY

- Lifetime limited warranty on parts (other than electronic parts and batteries) and finishes: or, for commercial users, for 5 years from date of purchase.
- 5 year limited warranty on electronic parts (other than batteries); or, for commercial users, for 1 year from the date of purchase. No warranty is provided on batteries.

COMPLIES WITH:

- ASME A112.18.1 / CSA B125.1
- ASME A112.18.2 / CSA B125.2
- Indicates compliance to ICC/ANSI A117.1
- EPA WaterSense®
- Verified compliant with .25% weighted average Pb content regulations.



55 E. 111th Street, Indianapolis, Indiana 46280
 350 South Edgeware Road, St. Thomas, ON N5P 4L1
 © 2014 Masco Corporation of Indiana