


52678-▲-PK


Submitted Model No.: _____

Specific Features: _____

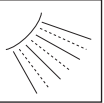
52678-PK Showerhead



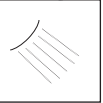
Full Body
Spray




Fast
Massage



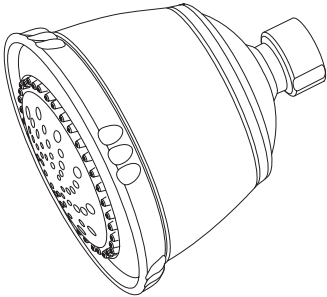
Full Spray
w/Massage

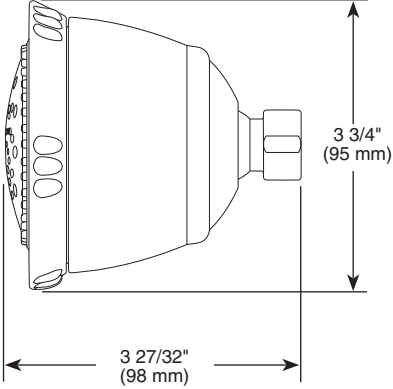


Aerated
Spray



Pause





3 3/4"
(95 mm)

3 27/32"
(98 mm)

▲ Designate proper finish suffix



SHOWERHEAD

- Showerhead (52678-PK)
- 2.5 GPM Max @ 80 PSI

STANDARD SPECIFICATIONS

- 2.5 GPM Maximum at 80 PSI.

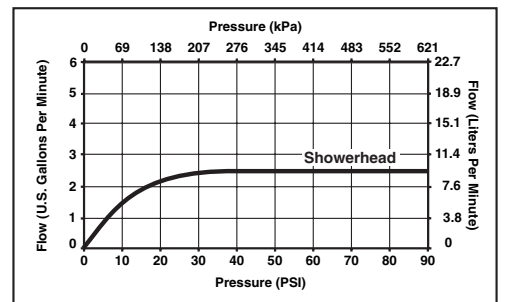
WARRANTY

- Lifetime Faucet and Finish Limited Warranty to the original consumer purchaser to be free from defects in material and workmanship.
- 5 Year Limited Warranty for usage in all industrial, commercial and business applications.



COMPLIES WITH:

- ASME A112.18.1 / CSA B125.1



Delta reserves the right (1) to make changes in specifications and materials, and (2) to change or discontinue models, both without notice or obligation. Dimensions are for reference only. See current full-line price book or www.specselect.com for finish options and product availability.

DSP-B-52678-PK Rev. A



55 E. 111th Street, Indianapolis, Indiana 46280
 350 South Edgeware Road, St. Thomas, ON N5P 4L1
 © 2011 Masco Corporation of Indiana