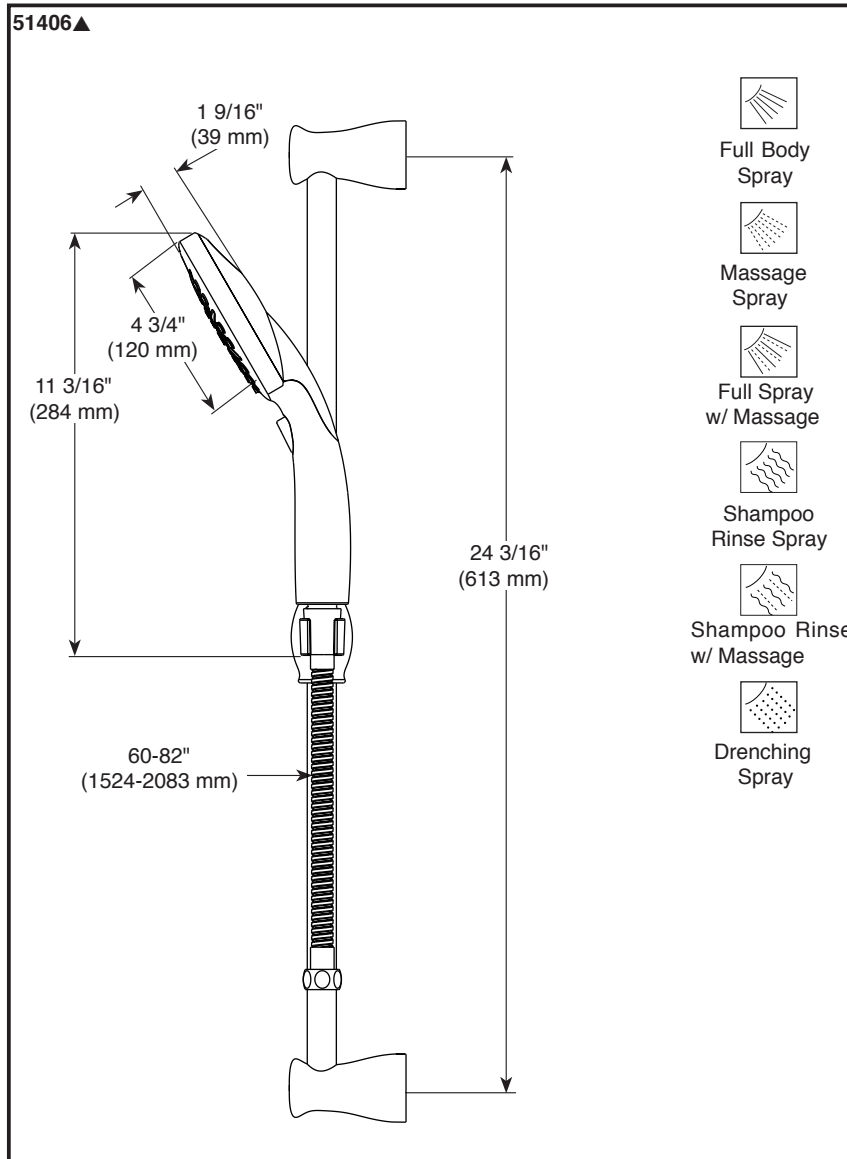


51406▲

Submitted Model No.: \_\_\_\_\_

Specific Features: \_\_\_\_\_



▲ Designate proper finish suffix



## WALL BAR HAND HELD SHOWERS

- Temp20™ temperature display handshower
- 6-spray setting wall bar handshower
- Touch-Clean® nozzles
- Temperature display changes color as temperature increases

### STANDARD SPECIFICATIONS:

- 60-82" (1524-2083mm) metal stretchable hose.
- Change spray modes with pushbutton.
- No batteries required.
- Dual check valves for backflow prevention.
- Maximum 2.00 gpm @ 80 psi, 7.60 L/min @ 550 kPa

### WARRANTY

- Lifetime limited warranty on parts (other than electronic parts and batteries) and finishes; or, for commercial users, for 5 years from date of purchase.
- 5 year limited warranty on electronic parts (other than batteries); or, for commercial users, for 1 year from the date of purchase. No warranty is provided on batteries.



### COMPLIES WITH

- ASME A112.18.1 / CSA B125.1

Delta reserves the right (1) to make changes in specifications and materials, and (2) to change or discontinue models, both without notice or obligation. Dimensions are for reference only. See current full-line price book or [www.deltafaucet.com](http://www.deltafaucet.com) for finish options and product availability.

DSP-B-51406 Rev. B



55 E. 111th Street, Indianapolis, Indiana 46280  
 350 South Edgeware Road, St. Thomas, Ontario Canada N5P 4L1  
 © 2016 Masco Corporation of Indiana