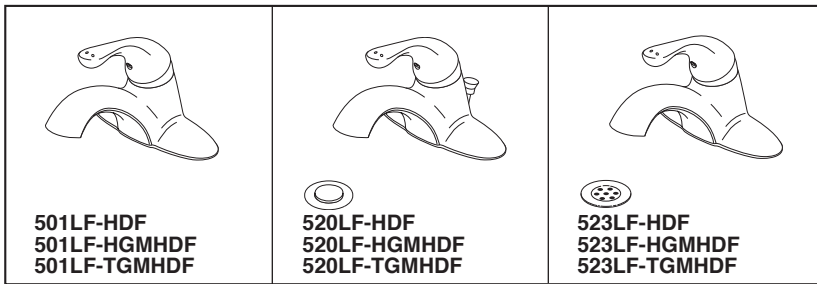


DELTA COMMERCIAL BATHROOM FAUCET

■ Single Handle



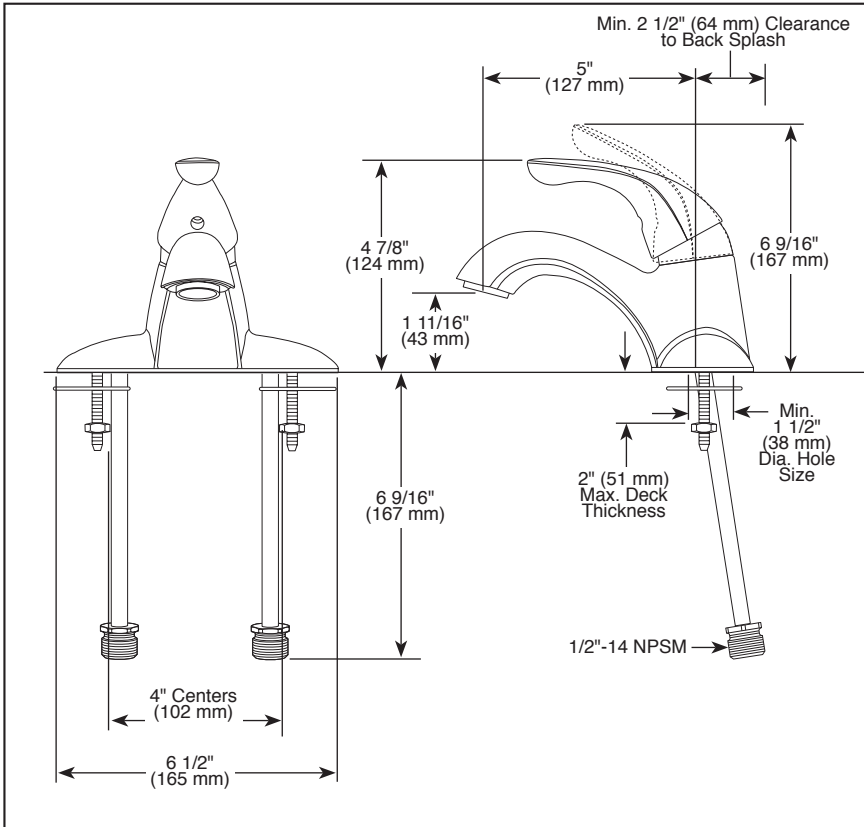
501LF-HDF
501LF-HGMHDF
501LF-TGMHDF

520LF-HDF
520LF-HGMHDF
520LF-TGMHDF

523LF-HDF
523LF-HGMHDF
523LF-TGMHDF

Submitted Model No.: _____

Specific Features: _____



STANDARD SPECIFICATIONS:

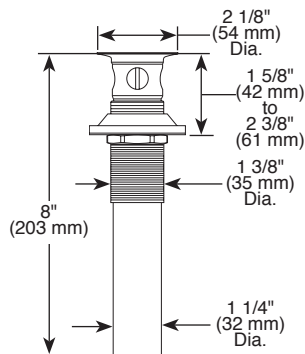
- Max. flow rate 1.2 gpm @ 60 psi, 4.5 L/min @ 414 kPa
- HGM (models only) maximum 0.50 gpm @ 60 psi, 1.9 L/min @ 414 kPa
- TGM (models only) maximum 0.35 gpm @ 60 psi, 1.3 L/min @ 414 kPa
- Two and three hole mount
- Solid brass fabricated body
- Vandal resistant lever handle. Red/blue colored graphics indicate hot/cold temperature.
- Diamond coated ceramic cartridge
- Adjustable handle limit stop
- 3/8" O.D. copper supply tubes with 1/2"-14 NPSM adapters
- Models have 1/4" threaded mounting studs
- Available options for field conversion:
 - 6" (152 mm) long elbow handle-red/blue colored graphics indicate hot/cold temperature. Order RP54687.
- Vandal resistant aerator or spray outlet
- Metal grid strainer (523)
- Metal pop-up drain (520)
- Lift rod hole (520)

WARRANTY

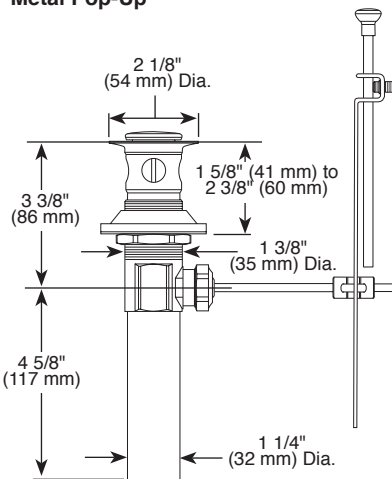
- Parts and Finish - Lifetime limited warranty; or for commercial purchasers, 10 years for multi-family residential (apartments and condominiums) and 5 years for all other commercial uses, in each case from the date of purchase.
- Electronic Parts and Batteries (if applicable) - 5 years from the date of purchase; or for commercial purchasers, 1 year from the date of purchase. No warranty is provided on batteries.



Metal Grid Strainer



Metal Pop-Up



COMPLIES WITH:

- ASME A112.18.1 / CSA B125.1
- ASME A112.18.2 / CSA B125.2
- Indicates compliance to ICC/ANSI A117.1 - Valve control only
- EPA WaterSense® - Applies to 501LF-HDF, 520LF-HDF, 523LF-HDF
- Verified compliant with .25% weighted average Pb content regulations.

Delta reserves the right (1) to make changes in specifications and materials, and (2) to change or discontinue models, both without notice or obligation. Dimensions are for reference only. See current full-line price book or www.deltafaucet.com for finish options and product availability.

DSP-L-501LF-HDF Rev. I

Delta Faucet Company

55 E. 111th Street, Indianapolis, IN 46280
350 South Edgeware Road, St. Thomas, ON N5P 4L1
© 2020 Delta Faucet Company