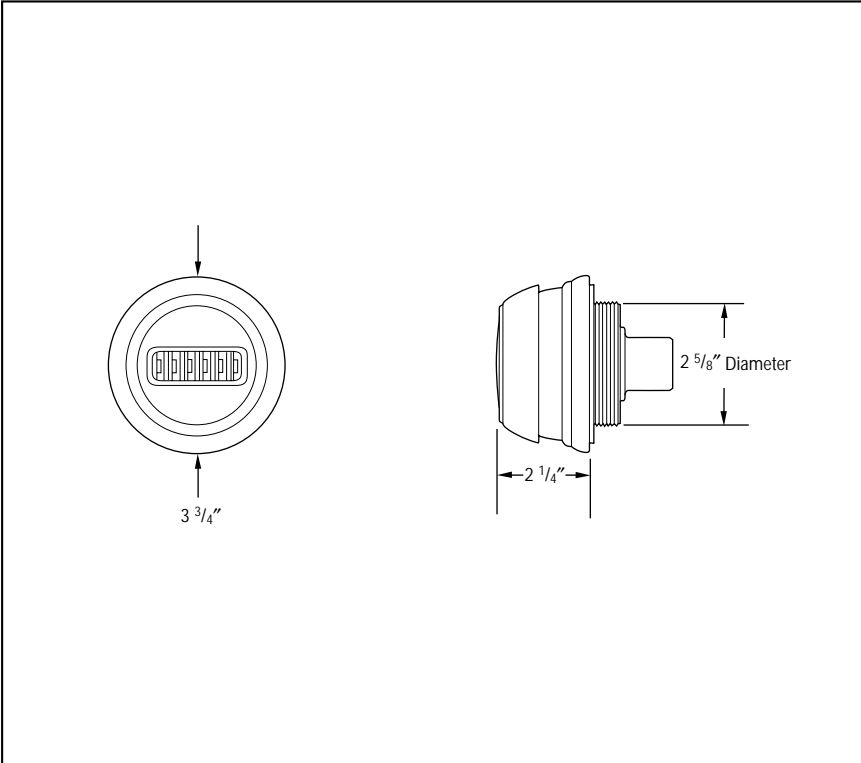


50000

Submitted Model No.: \_\_\_\_\_

Specific Features: \_\_\_\_\_



## BODY SPRAY

- H<sup>2</sup>Okinetic Body Sprays
- New State of the Art Technology
- 1.6 GPM, Experience of 2.5 GPM
- 1/2" Rough-In

### STANDARD SPECIFICATIONS

- 1/2" rough-in
- 1.6 gpm, experience of 2.5 gpm.
- Adjust both vertically and horizontally.
- Rough opening must be a minimum of 2 5/8".

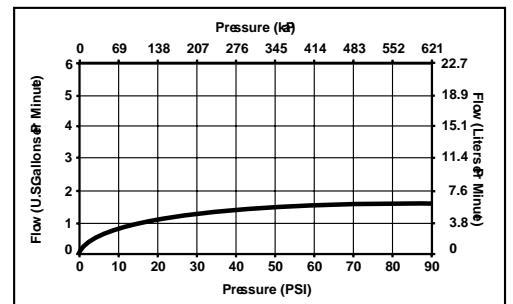
### WARRANTY

- Lifetime Faucet and Finish Limited Warranty to the original consumer purchaser to be free from defects in material and workmanship.
- 5 Year Limited Warranty for usage in all industrial, commercial and business applications.



### COMPLIES WITH:

- ANSI/ASME A112.18.1 / CSA B125.1
- ICC/ANSI A117.1/ADA
- IAPMO Listed
- CSA Certified



Indianapolis, Indiana 46280  
 A Division of Masco Corporation of Indiana  
 © 2007 Masco Corporation of Indiana