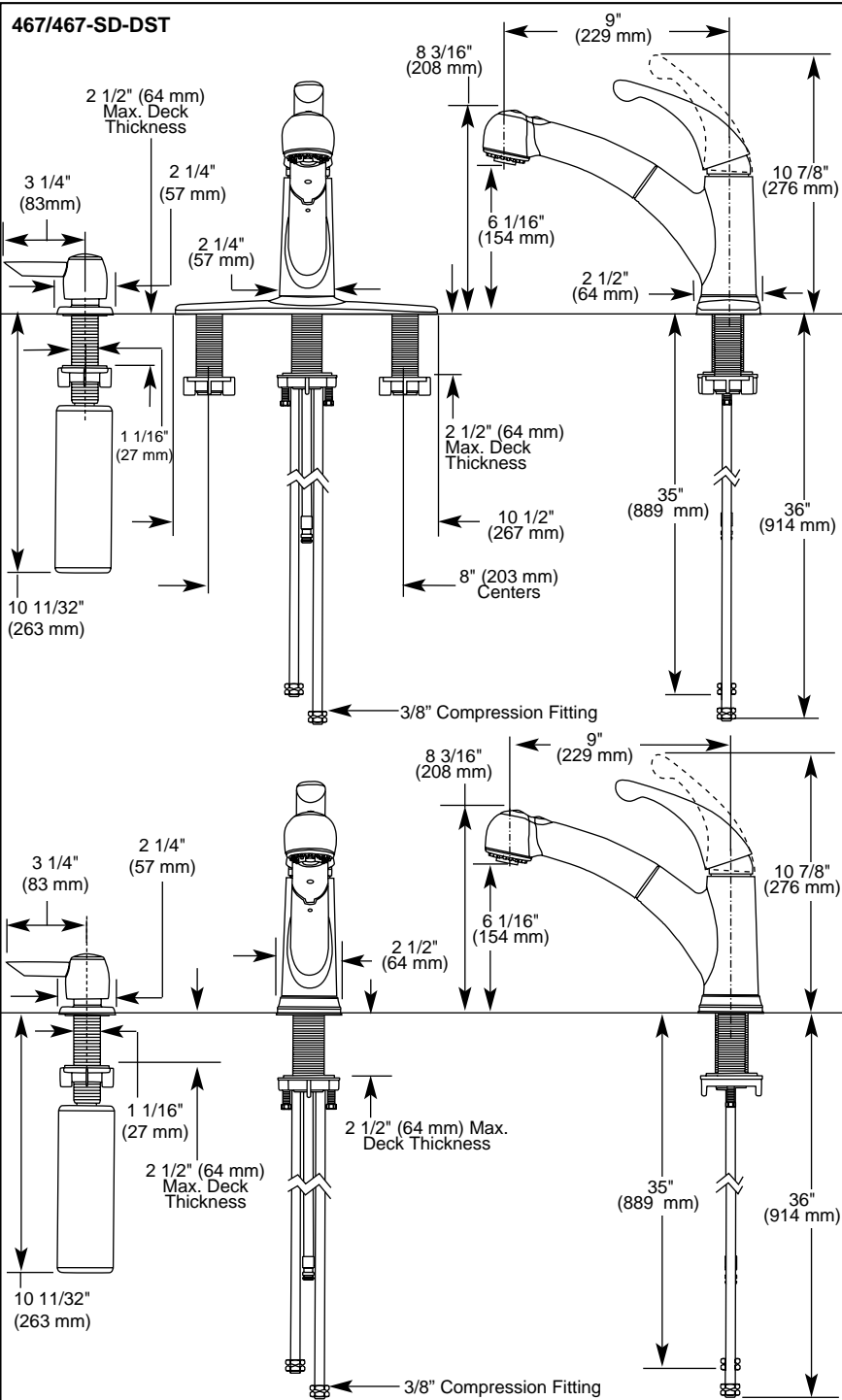


Submitted Model No.: _____

Specific Features: _____



KITCHEN FAUCETS

- Palo® Series
- Single Handle Deck Mount
- 1, 2, 3 or 4 Hole Sink Applications
- Optional Soap Dispenser
- DIAMOND™ Seal Technology
- Integrated Supply Tubes
- 2-Function Pull-Out

STANDARD SPECIFICATIONS:

- Centermount or 8" (203 mm) centers with optional 10 1/2" (267 mm) long escutcheon included.
- Single handle kitchen faucets for exposed mounting on 1, 2, 3, or 4 hole sinks.
- 8 3/16" (208 mm) high, 9" (229 mm) long spout nestled in metal hub, swings 120°.
- Pull-out spout operates in an aerated or spray mode via an easy push button.
- Touch-Clean® sprayhead.
- Spout is connected to valve body with a 53" (1346 mm) long hose.
- Lever handle shall return to neutral position when faucet is turned off.
- Control mechanism shall be the diamond coated ceramic cartridge.
- 3/8" O.D. straight, staggered pex supply tubes – 35" (889 mm) and 36" (914 mm) long.
- Standard 3/8" (10 mm) compression gasket fittings.
- Integral double check valves in spout.
- Recommended hole size 1 3/8" (35 mm).
- Soap Dispenser bottle holds up to 8 oz.
- RP51499 wand assembly available with flow rate of 1.5 gpm max.

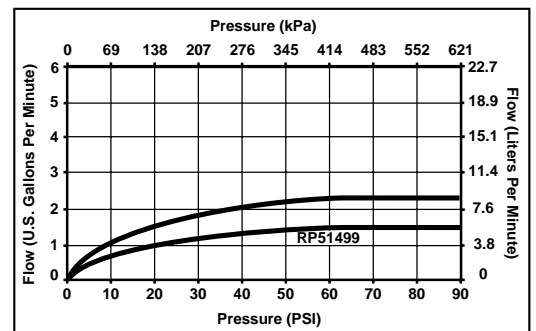
WARRANTY

- Lifetime Faucet and Finish Limited Warranty to the original consumer purchaser to be free from defects in material and workmanship.
- 5 Year Limited Warranty for usage in all industrial, commercial and business applications.



COMPLIES WITH:

- ASME A112.18.1 / CSA B125.1
- Indicates ADA compliance to ICC/ANSI A117.1
- IAPMO Listed
- CSA Certified



55 E. 111th Street, Indianapolis, Indiana 46280
 395 Matheson Blvd. E., Mississauga, ON L4Z 2H2
 © 2008 Masco Corporation of Indiana

Delta reserves the right (1) to make changes in specifications and materials, and (2) to change or discontinue models, both without notice or obligation. Dimensions are for reference only. See current full-line price book or www.specselect.com for finish options and product availability.
 DSP-K-467-DST Rev. A