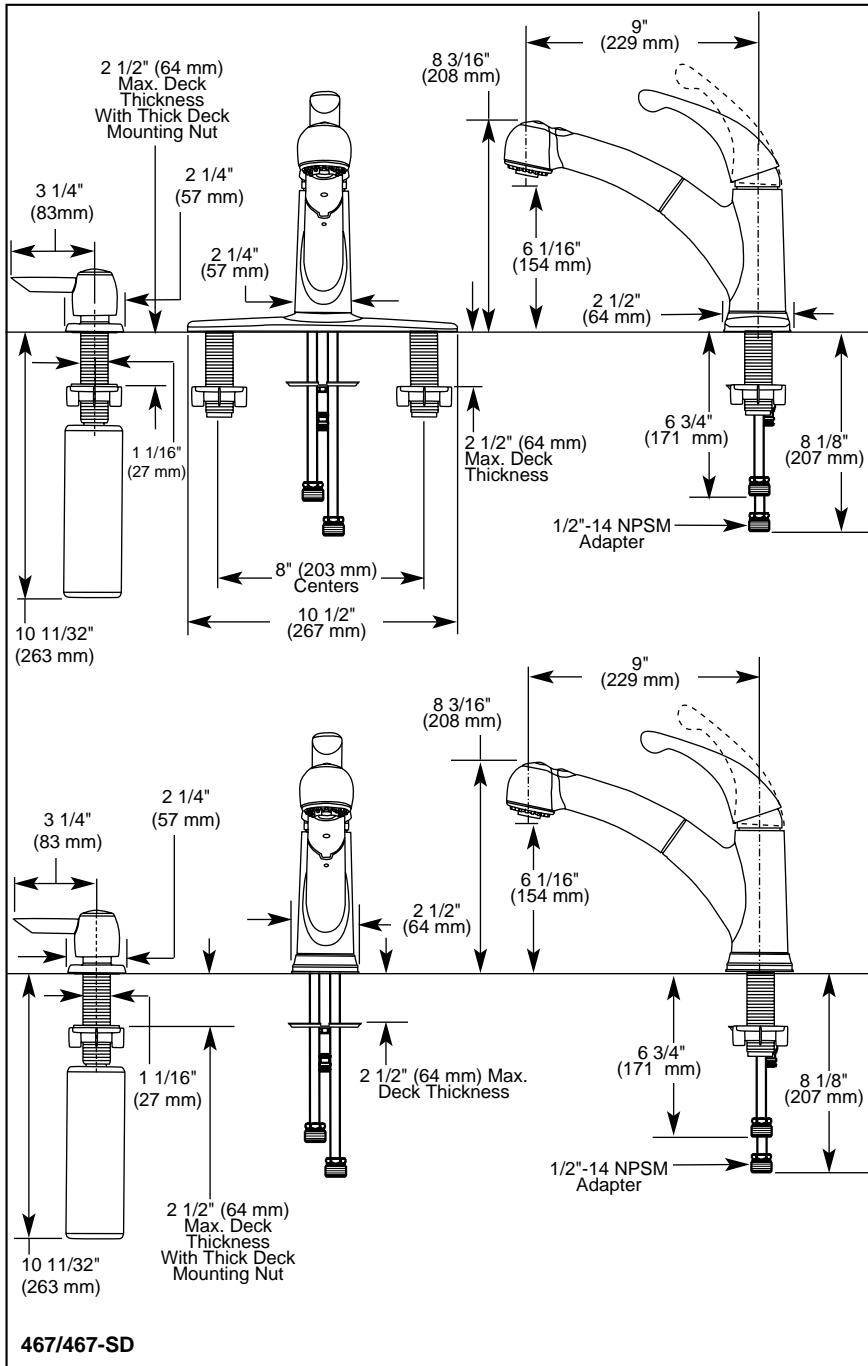


Submitted Model No.: _____

Specific Features: _____



KITCHEN FAUCETS

- Palo™ Pull-Out Spray Series
- Single Handle Deck Mount
- 1,2,3 or 4 Hole Sink Applications

STANDARD SPECIFICATIONS:

- Solid brass fabricated body.
- Centermount or 8" (203 mm) centers with optional included 10 1/2" (267 mm) long escutcheon.
- Single handle kitchen faucets for exposed mounting on 1, 2, 3, or 4 hole sinks.
- 8 3/16" (208 mm) high, 9" (229 mm) long spout nestled in metal hub, swings 120°.
- Pull-out spout operates in an aerated or spray mode via an easy push button.
- Touch-Clean® sprayhead.
- Quick Snap® hose installation.
- Spout is connected to valve body with a 59" (1524 mm) long hose that extends to 38" (965 mm) usable length.
- Lever handle shall return to neutral position when faucet is turned off.
- Control mechanism shall be of the rotating stainless steel ball type with replaceable non-metallic seats operating in stainless steel lined sockets.
- 3/8" O.D. straight, staggered copper supply tubes – 6 3/4" (171 mm) and 8 1/8" (207 mm) long.
- Standard with 1/2"-14 NPSM adapters.
- Integral double check valves in spout.

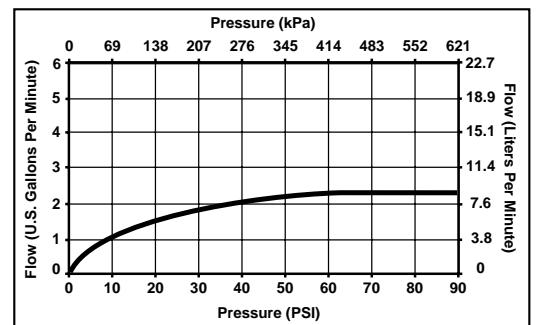
WARRANTY

- Lifetime Faucet and Finish Limited Warranty to the original consumer purchaser to be free from defects in material and workmanship.
- 5 Year Limited Warranty for usage in all industrial, commercial and business applications.



COMPLIES WITH:

- ASME A112.18.1 / CSA B125.1
- Indicates ADA compliance to ICC/ANSI A117.1
- IAPMO Listed
- CSA Certified



Indianapolis, Indiana 46280
 A Division of Masco Corporation of Indiana
 © 2006 Masco Corporation of Indiana

Delta reserves the right (1) to make changes in specifications and materials, and (2) to change or discontinue models, both without notice or obligation. Dimensions are for reference only. See current full-line price book for finish options and product availability.

DSP-K-467 Rev. A