

3577-LHP

Submitted Model No.: _____

Specific Features: _____

DELTA[®]

LAVATORY FAUCETS

- Two Handle
- Teapot Spout Series
- LHP-Less Handle Program
- Widespread
- Three Hole Sink Applications
- 6" to 16" Centers
- Quick-Snap[®] Installation



LISTED
UL Listed to US and Canadian
Safety Standards and Classified
in accordance with
ANSI/NSF 61
21PL

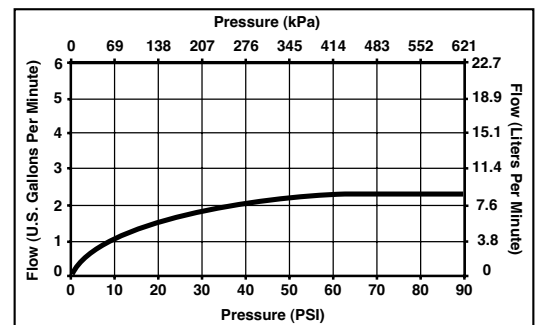
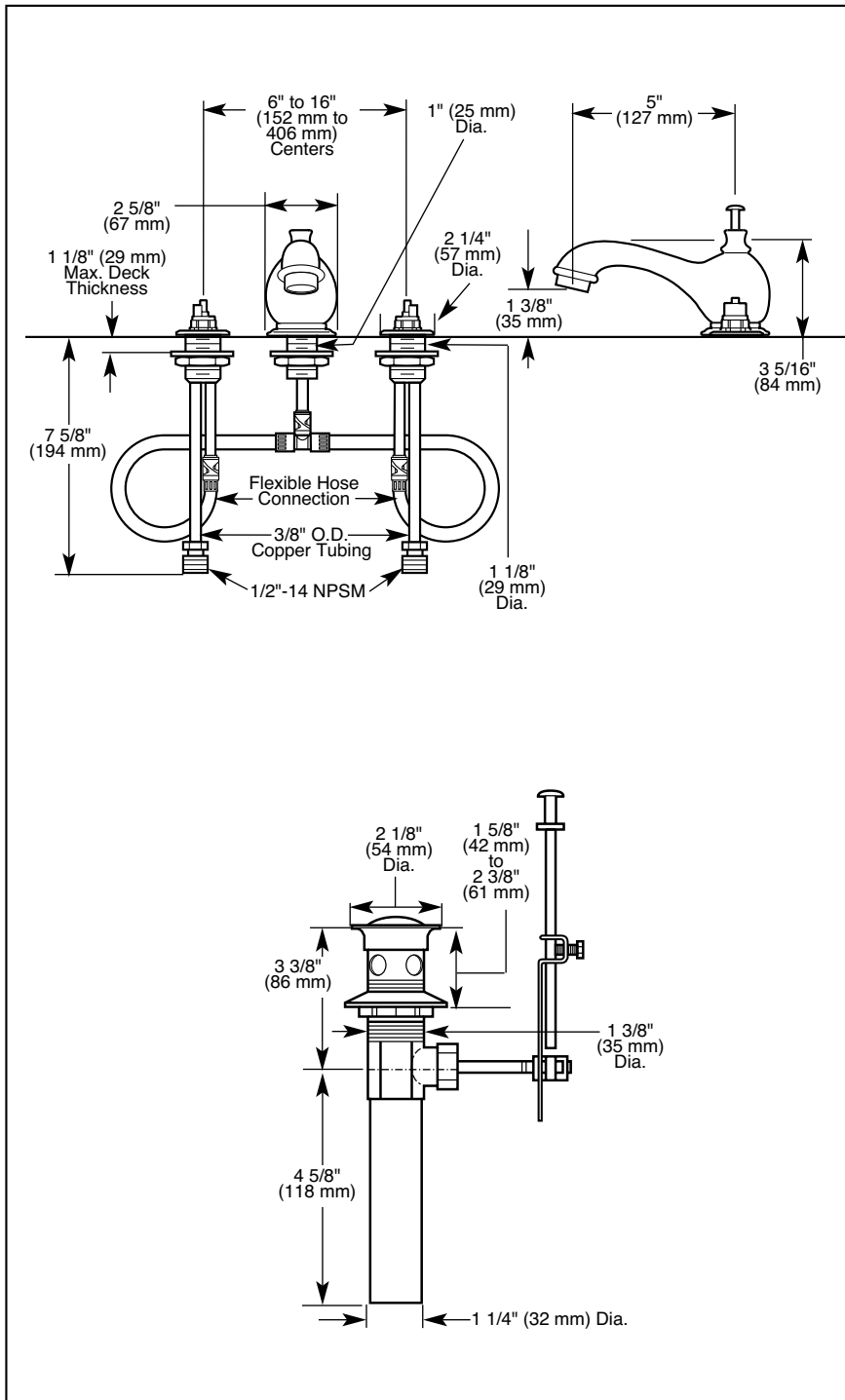


COMPLIES WITH:

- ASME A112.18.1
- CSA B125
- NSF 61
- ♿ Indicates ADA compliance to ICC/ANSI A117.1
- IAPMO Listed
- CSA Certified

STANDARD SPECIFICATIONS:

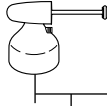

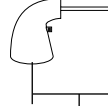

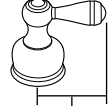

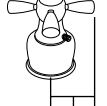

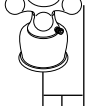
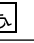
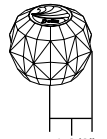
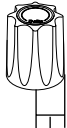
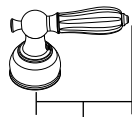

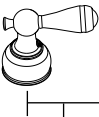

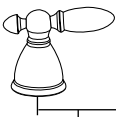

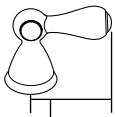

- Two handle lavatory faucets for concealed mounting on three hole sinks.
- Widespread - 6" (152mm) to 16" (406 mm) centers.
- Quick-Snap[®] installation.
- 1/4 turn stops.
- Solid brass fabricated end valve and spout bodies.
- 5" (127 mm) long, rigid spout.
- LHP-Less Handle Program. See handle kit options on back.
- Hot and cold stems are interchangeable.
- Control mechanism shall be of the rotating cylinder type with stainless steel plate and 180° rotation, with replaceable non-metallic seats operating in stainless steel lined sockets.
- 3/8" O.D. copper supply tubes with 1/2"-14 NPSM adapters.
- Models have metal drain with pop-up type fitting with plated flange and stopper.



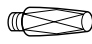











Delta reserves the right (1) to make changes in specifications and materials, and (2) to change or discontinue models, both without notice or obligation. Dimensions are for reference only. I.D.18

Standard Features	3577-LHP	3577-CBLHP	3577-NCLHP	3577-MNLHP	3577-NPLHP	3577-PBLHP
Washerless	◆	◆	◆	◆	◆	◆
Three Hole Installation	◆	◆	◆	◆	◆	◆
Quick Connect Hose Assembly & Self Locating Bases	◆	◆	◆	◆	◆	◆
6" (152 mm) to 16" (406 mm) Widespread	◆	◆	◆	◆	◆	◆
5" (127 mm) long Rigid Spout	◆	◆	◆	◆	◆	◆
Brass Stems & 1/4 Turn Stops	◆	◆	◆	◆	◆	◆
Less Handle Program See Handle Kit Options*	◆	◆	◆	◆	◆	◆
3/8" O.D. Copper Supply Tubes with 1/2"-14 NPSM Adapters	◆	◆	◆	◆	◆	◆
Metal Pop-Up Drain	◆	◆				◆
Chrome Finish	◆					
Chrome & <i>Brilliance</i> ® Polished Brass Finish		◆				
<i>Brilliance</i> ® Polished Brass Finish						◆
<i>Brilliance</i> ® Pearl Nickel				◆		
<i>Brilliance</i> ® Pearl Nickel & Chrome			◆			
<i>Brilliance</i> ® Pearl Nickel & <i>Brilliance</i> ® Polished Brass					◆	

***Available LHP Handle Options**

<p>H22</p>  <p>2 1/2" (64 mm)</p> 	<p>H24</p>  <p>3 1/4" (83 mm)</p> 	<p>H25</p>  <p>2 5/16" (59 mm)</p> 	<p>H26</p>  <p>1 1/4" (32 mm)</p> 	<p>H27</p>  <p>1 1/4" (32 mm)</p> 	<p>H41</p>  <p>1 3/8" (35 mm)</p>
<p>H48</p>  <p>1" (25 mm)</p>	<p>H212</p>  <p>3" (76 mm)</p> 	<p>H215</p>  <p>2 5/16" (59 mm)</p> 	<p>H216</p>  <p>2 9/16" (65 mm)</p> 	<p>H217</p>  <p>2 1/2" (64 mm)</p> 	

***Available LHP Handle Accent Options with Matching Lift Knobs**

 <p>A22CL</p> 	 <p>A22OK, A22RS, A22WW</p> 
 <p>A22, A22AL, A22PB, A22WH</p> 	 <p>A24CL</p> 
 <p>A22PR</p> 	 <p>A24, A24NC, A24NN, A24NP, A24PB, A24WH</p> 



Indianapolis, Indiana 46280
A Division of Masco Corporation of Indiana
© 2002 Masco Corporation of Indiana