

# DELTA

## LAVATORY FAUCETS

- Two Handle
- Widespread
- Three Hole Sink Applications
- 6" to 16" Centers
- Quick-Snap® Installation

Submitted Model No.: \_\_\_\_\_

Specific Features: \_\_\_\_\_

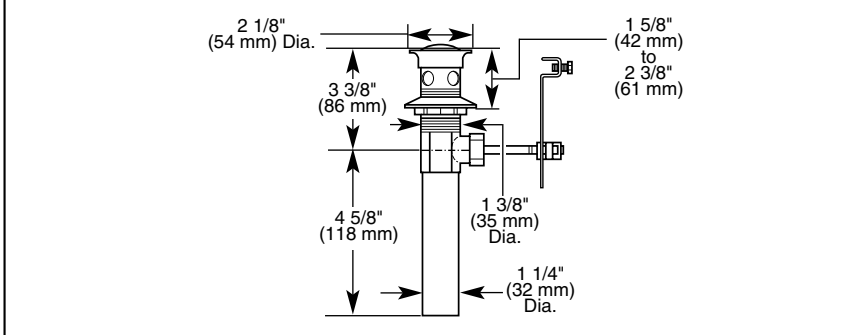
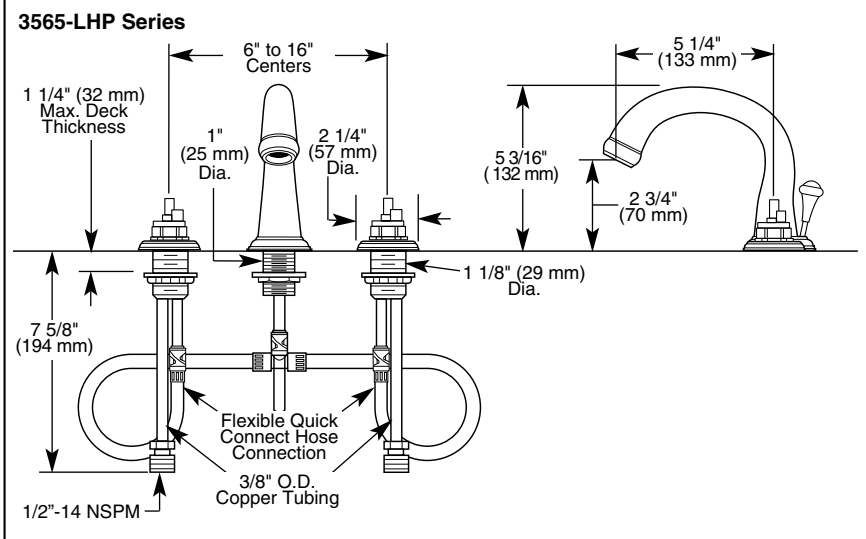
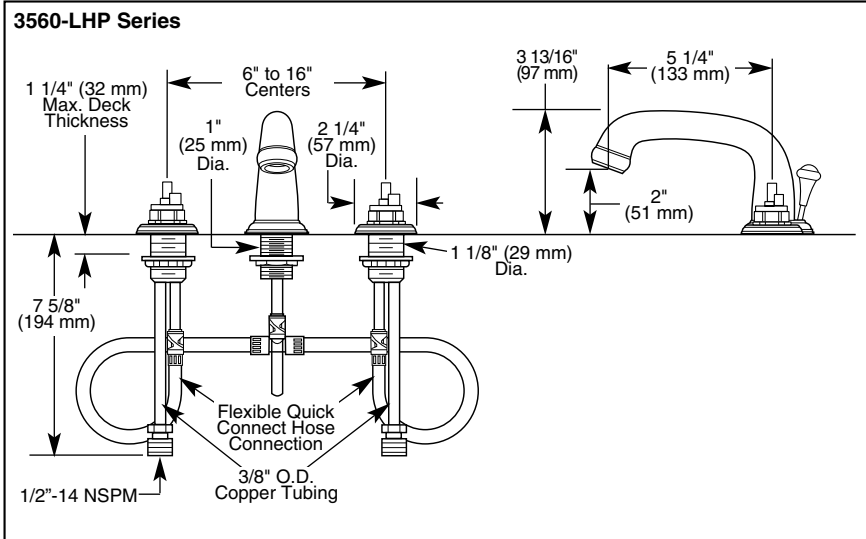


**LISTED**  
UL Listed to US and Canadian  
Safety Standards and Classified  
in accordance with  
ANSI/NSF 61  
21PL



### COMPLIES WITH:

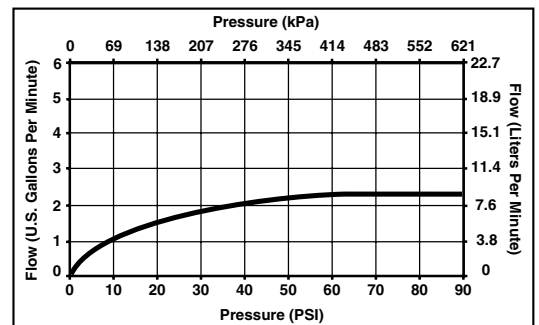
- NSF 61
- ASME A112.18.1
- CSA B125
- Indicates ADA compliance to ICC/ANSI A117.1
- IAPMO Listed
- CSA Certified



### STANDARD SPECIFICATIONS:

- Two handle lavatory faucets for concealed mounting on three hole sinks.
- Widespread - 6" (152mm) to 16" (406 mm) centers.
- Solid brass fabricated end valve and spout bodies.
- Hot and cold stems are interchangeable.
- 1/4 turn stops.
- Control mechanism shall be of the rotating cylinder type with stainless steel plate and 180° rotation, with replaceable non-metallic seats operating in stainless steel lined sockets.
- 3/8" O.D. copper supply tubes.
- Models with "LHP" supplied with 1/2"-14 NPSM adapters.
- Models have metal drain with pop-up type fitting with plated flange and stopper. \*
- Quick-Snap® installation.

\*Applies to LHP models only.



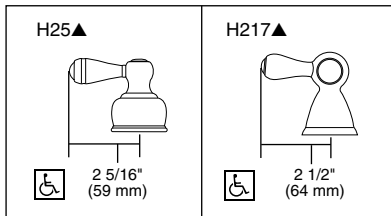
Delta reserves the right (1) to make changes in specifications and materials, and (2) to change or discontinue models, both without notice or obligation. Dimensions are for reference only.

Standard Features	3560-LHP	3560-CBLHP	3565-LHP	3565-CBLHP
Washerless	◆	◆	◆	◆
Three Hole Installation	◆	◆	◆	◆
6" (152 mm) to 16" (406 mm) Widespread	◆	◆	◆	◆
5 1/4" (133 mm) Long, 2" (51 mm) High, Rigid Spout	◆	◆		
5 1/4" (133 mm) Long, 2 3/4" (70 mm) High, Rigid Spout			◆	◆
Less Handle Program See Handle Kit Options*	◆	◆	◆	◆
Brass Stems and 1/4 Turn Handle Stops	◆	◆	◆	◆
3/8" O.D. Copper Supply Tubes	◆	◆	◆	◆
1/2"-14 NPSM Adapters	◆	◆	◆	◆
Quick Connect Hose Assembly & Self Locating Bases	◆	◆	◆	◆
Metal Pop-Up Drain**	◆	◆	◆	◆
Chrome Finish	◆		◆	
Chrome and <i>Brilliance</i> ® Polished Brass Finish		◆		◆

\*Available LHP Handle Options

\*\*Applies to LHP Models Only

### ▲ Specify Finish



Indianapolis, Indiana 46280  
A Division of Masco Corporation of Indiana  
© 2003, Masco Corporation of Indiana