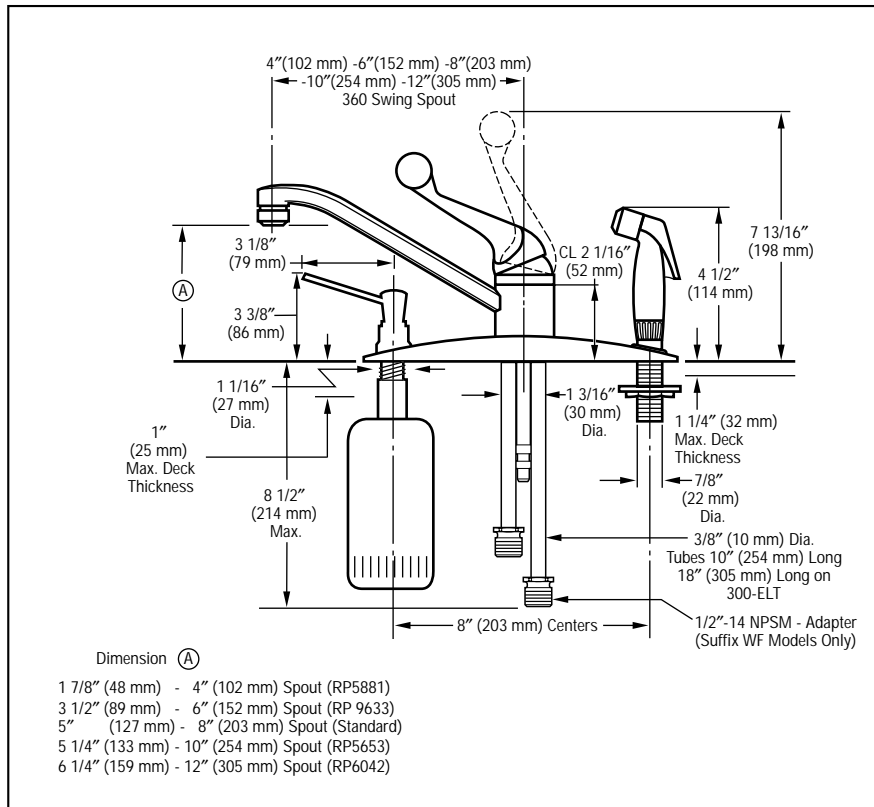


300
300-WF

Submitted Model No.: _____

Specific Features: _____



KITCHEN FAUCETS

- Classic Series
- Single Handle Deck Mount
- 3 Hole Sink Applications
- Quick Snap® Vegetable Sprayer Hose Installation

STANDARD SPECIFICATIONS:

- Solid brass fabricated body.
- 8" (203 mm) long spout swings 360°.
- Lever handle. Control mechanism shall be of the rotating stainless steel ball type with replaceable non-metallic seats operating in stainless steel lined sockets.
- Control handle shall return to neutral position when valve is turned off.
- Quick Snap® vegetable sprayer hose installation.
- Anti-siphon device as integral part of valve body.
- Models with suffix "WF" supplied with 1/2"-14 NPSM adapters.

WARRANTY

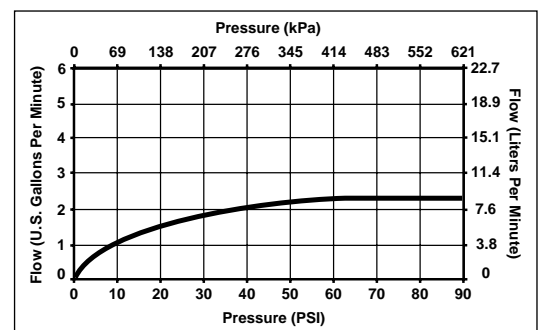
- Lifetime Faucet and Finish Limited Warranty to the original consumer purchaser to be free from defects in material and workmanship.
- 5 Year Limited Warranty for usage in all industrial, commercial and business applications.

COMPLIES WITH:

- ASME A112.18.1 / CSA B125.1
- NSF 61

Indicates ADA compliance to ICC/ANSI A117.1

- IAPMO Listed
- CSA Certified



Indianapolis, Indiana 46280
A Division of Masco Corporation of Indiana
© 2006 Masco Corporation of Indiana

Delta reserves the right (1) to make changes in specifications and materials, and (2) to change or discontinue models, both without notice or obligation. Dimensions are for reference only. See current full-line price book for finish options and product availability.