



Lavatory Faucets

4" deck LESS pop-up - CER-TECK® ceramic structures

Model No: 27C4845

COMPLIES WITH:

- Verified compliant with 0.25% weighted average Pb content regulations
- CSA certified.
- Complies to ASME A112.18.1/CSA B125.1
- (Contact Delta Representative for State and/or Local Approvals)
- 152 mm (6") Wrist Blade Handle ADA compliant and meets Handicapped Accessibility Standard ICC/ANSI A117.1 of less than 5 lbs operating force



NOTES:

Verified compliant with 0.25% weighted average Pb content regulations

This COMPLETE SERIES is available as Compliant product as of Nov. 1, 2009.

The Product Numbers have NOT changed.

(Dimensional drawing on following page)

SPECIFICATION:

- HEAVY DUTY CAST BRASS sink faucet
- 102mm (4") centers, two handle
- Polished chrome plated finish
- CER-TECK® ceramic structures
- Metal hold-down package
- Spout#: 8 - Gooseneck spout-4.5" radius -Standard rigid/swivel field installation-Vandal resistant .090" wall thickness(R2)
- Outlet#: 4 - Standard 1.5 GPM (5.7 L/Min) Flow Control Aerator
- Handle#: 5 - 152 mm (6") Wrist Blade Handles-ADA Compliant- Sanitary Hoods-Metal-Color indexed-Vandal resistant screws

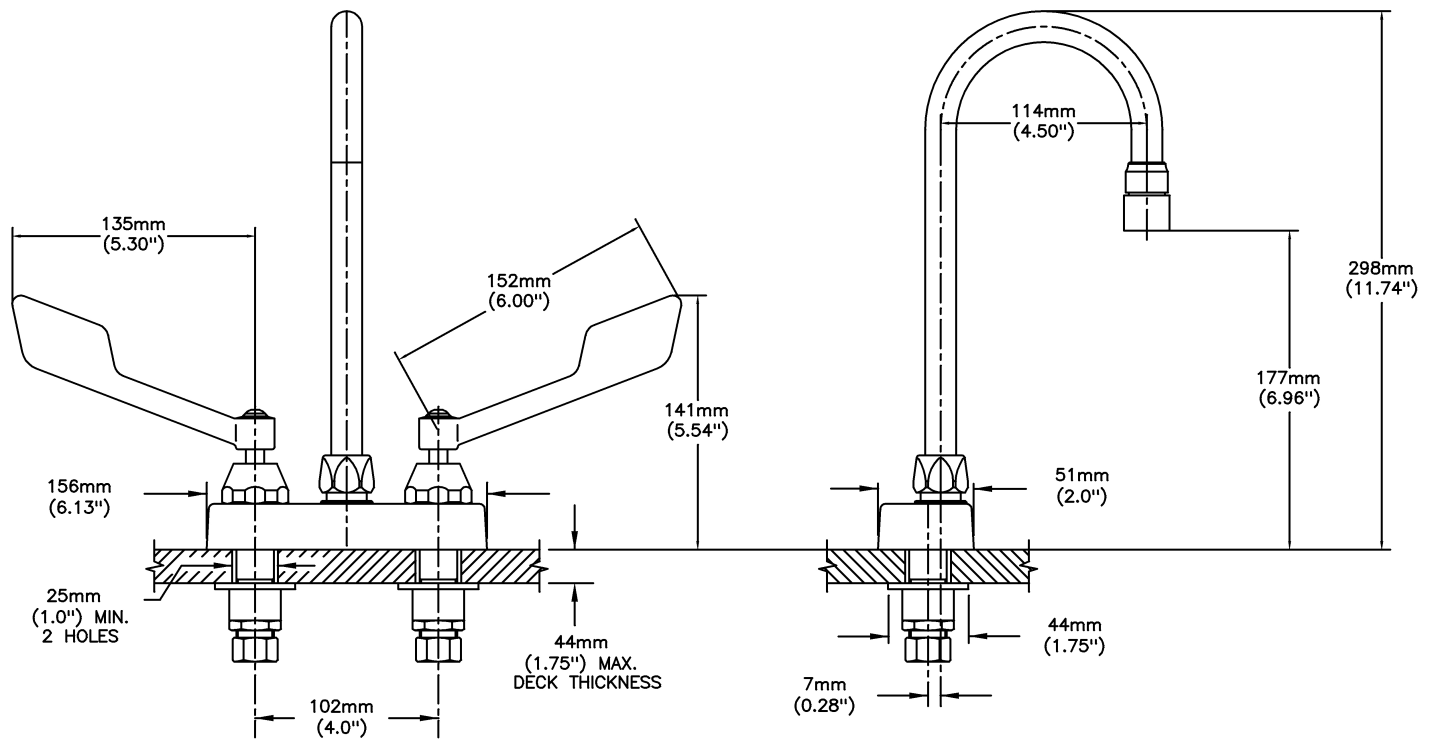
OPERATION:

- Not Available

Delta reserves the right (1) to make changes to specifications and materials, and (2) to change or discontinue models, both without notice or obligation. Dimensions are for reference. Measurement may vary plus or minus 6mm(0.25"). Mounting locations are suggested only. Check with local codes for requirements in your area. This spec was produced November 04, 2013.

Delta Faucet Company - 55 East 111th St. - Indianapolis, Indiana, USA 46280 - (317) 848-1812
Delta Faucet Canada - 395 Matheson Blvd E - Mississauga, Ontario, Canada L4Z 2H2 - (905) 712-3030

Model No: 27C4845



INLET FOR 3/8" OR 1/2" FLEXIBLE RISER
OR 1/2-14 NPSM COUPLING NUT (SUPPLIED)

Delta reserves the right (1) to make changes to specifications and materials, and (2) to change or discontinue models, both without notice or obligation. Dimensions are for reference. Measurement may vary plus or minus 6mm(0.25"). Mounting locations are suggested only. Check with local codes for requirements in your area. This spec was produced November 04, 2013.

Delta Faucet Company - 55 East 111th St. - Indianapolis, Indiana, USA 46280 - (317) 848-1812
Delta Faucet Canada - 395 Matheson Blvd E - Mississauga, Ontario, Canada L4Z 2H2 - (905) 712-3030