



Sink Faucet Deckmount

8" deck LESS hose and spray - CER-TECK® ceramic structures

Model No: 27C2974

COMPLIES WITH:

- Verified to <0.25% Pb average wetted surface regulations
- CSA certified.
- Complies to ASME A112.18.1/CSA B125.1
- (Contact Delta Representative for State and/or Local Approvals)
- 102 mm (4") Blade Handle ADA compliant and meets Handicapped Accessibility Standard ICC/ANSI A117.1 of less than 5 lbs operating force



NOTES:

Verified to <0.25% Pb average wetted surface regulations

CA/VT Compliance:

This COMPLETE SERIES is ONLY available as CA/VT Compliant product as of Nov. 1, 2009.

The Product Numbers have NOT changed.

SPECIFICATION:

- Below deckmount sink faucet
- 203 mm (8") centers, two handle
- Polished chrome plated finish
- Cast brass bodies
- Metal hold-down package
- CER-TECK® ceramic structures
- Spout: R4 - Smooth End Gooseneck-6.0" radius-10.4" height (unmounted)- Standard rigid/swivel field installation unless LS Limited swing option selected- Vandal resistant .090" wall thickness-(R4)
- Outlet#: 7 - Smooth Spout End with Laminar Flow Control in Spout Base - 1.0 GPM (3.8L/min)
- Handle#: 4 - 102 mm (4") Blade Handles- ADA Compliant-Sanitary Hoods- Metal-Color indexed-Vandal resistant screws

OPERATION:

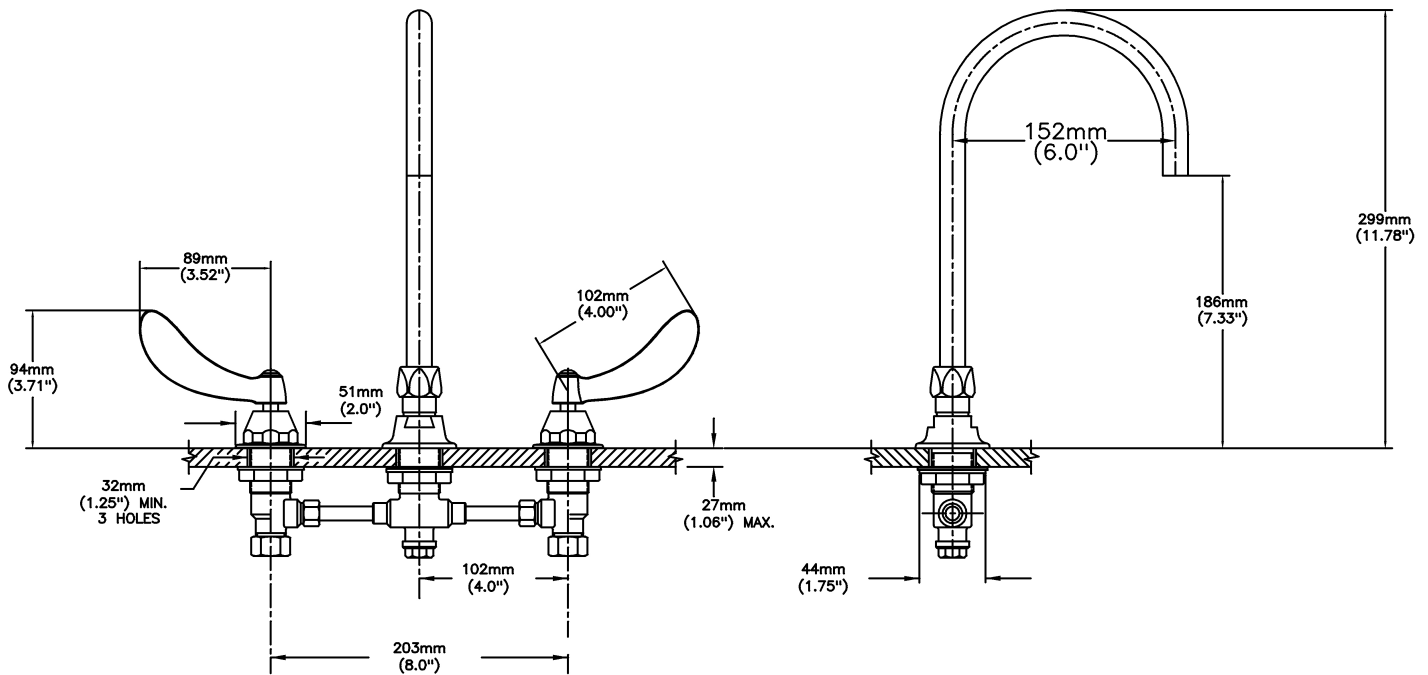
- Not Available

(Dimensional drawing on following page)

Delta reserves the right (1) to make changes to specifications and materials, and (2) to change or discontinue models, both without notice or obligation. Dimensions are for reference. Measurement may vary plus or minus 6mm(0.25"). Mounting locations are suggested only. Check with local codes for requirements in your area. This spec was produced June 05, 2013.

Delta Faucet Company - 55 East 111th St. - Indianapolis, Indiana, USA 46280 - (317) 848-1812
Delta Faucet Canada - 395 Matheson Blvd E - Mississauga, Ontario, Canada L4Z 2H2 - (905) 712-3030

Model No: 27C2974



INLET FOR 3/8" OR 1/2" FLEXIBLE RISER
OR 1/2-14 NPSM COUPLING NUT (SUPPLIED)

Delta reserves the right (1) to make changes to specifications and materials, and (2) to change or discontinue models, both without notice or obligation. Dimensions are for reference. Measurement may vary plus or minus 6mm(0.25"). Mounting locations are suggested only. Check with local codes for requirements in your area. This spec was produced June 05, 2013.

Delta Faucet Company - 55 East 111th St. - Indianapolis, Indiana, USA 46280 - (317) 848-1812
Delta Faucet Canada - 395 Matheson Blvd E - Mississauga, Ontario, Canada L4Z 2H2 - (905) 712-3030