



## Sink Faucet Deckmount

8" deck LESS hose and spray - CER-TECK® ceramic structures

### Model No: 27C2932

#### COMPLIES WITH:

- Verified to <0.25% Pb average wetted surface regulations
- CSA certified.
- Complies to ASME A112.18.1/CSA B125.1
- (Contact Delta Representative for State and/or Local Approvals)
- 102 mm (4") Hooded Blade Handle ADA compliant and meets Handicapped Accessibility Standard ASME A117.1 of less than 5 lbs operating force.



#### NOTES:

Verified to <0.25% Pb average wetted surface regulations

CA/VT Compliance:

This COMPLETE SERIES is ONLY available as CA/VT Compliant product as of Nov. 1, 2009.

The Product Numbers have NOT changed.

***(Dimensional drawing on following page)***

#### SPECIFICATION:

- Below deckmount sink faucet
- 203 mm (8") centers, two handle
- Polished chrome plated finish
- Cast brass bodies
- Metal hold-down package
- CER-TECK® ceramic structures
- Spout#: 9 - Gooseneck spout-6.0" radius- 10.4" height (unmounted)- Standard rigid/swivel field installation unless LS Limited swing option selected- Vandal resistant .090" wall thickness-(R4)
- Outlet#: 3 - Vandal Resistant Aerator Outlet- 1.5 USGPM (5.7 L/min) Flow Rate at 60 psi- pressure compensating
- Handle#: 2 - 102 mm (4") Hooded Blade Handles-ADA compliant-Metal-Color indexed-Vandal resistant screws

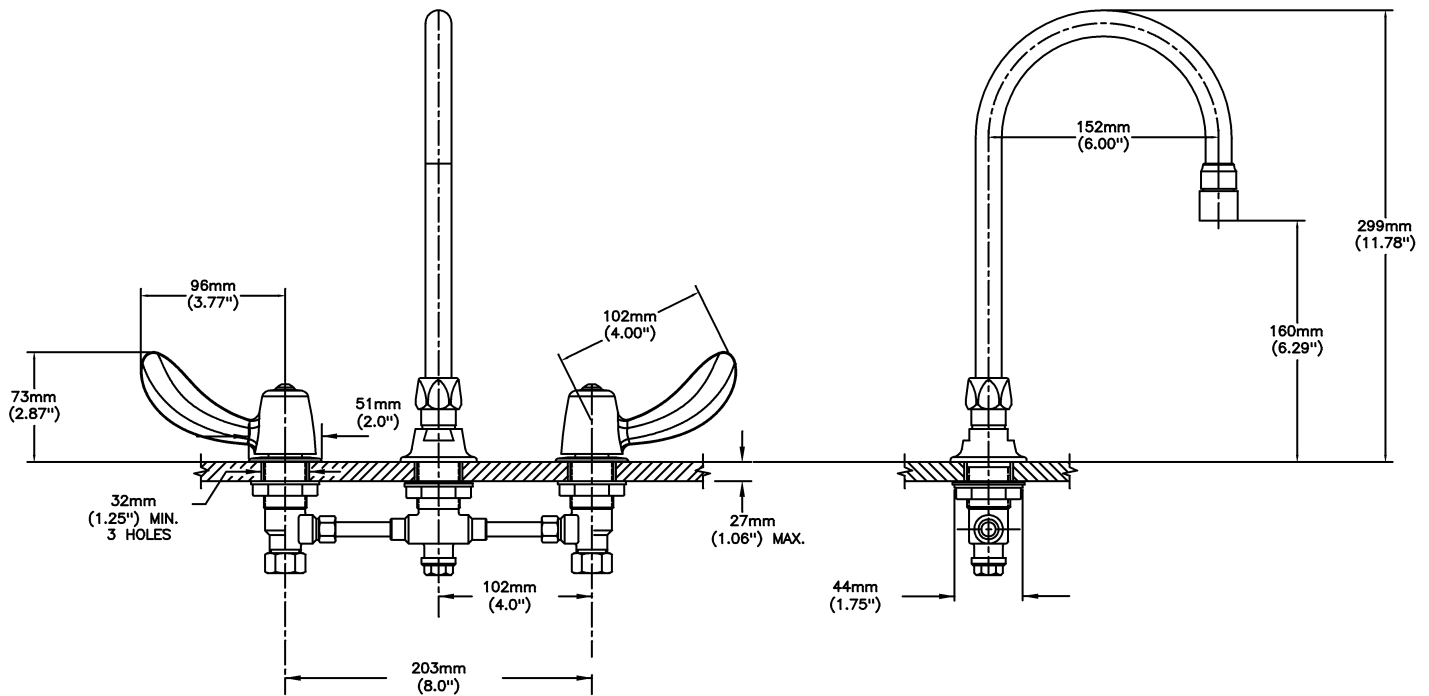
#### OPERATION:

- Not Available

Delta reserves the right (1) to make changes to specifications and materials, and (2) to change or discontinue models, both without notice or obligation. Dimensions are for reference. Measurement may vary plus or minus 6mm(0.25"). Mounting locations are suggested only. Check with local codes for requirements in your area. This spec was produced March 19, 2012.

Delta Faucet Company - 55 East 111th St. - Indianapolis, Indiana, USA 46280 - (317) 848-1812  
Delta Faucet Canada - 395 Matheson Blvd E - Mississauga, Ontario, Canada L4Z 2H2 - (905) 712-3030

Model No: 27C2932



INLET FOR 3/8" OR 1/2" FLEXIBLE RISER  
OR 1/2-14 NPSM COUPLING NUT (SUPPLIED)

Delta reserves the right (1) to make changes to specifications and materials, and (2) to change or discontinue models, both without notice or obligation. Dimensions are for reference. Measurement may vary plus or minus 6mm(0.25"). Mounting locations are suggested only. Check with local codes for requirements in your area. This spec was produced March 19, 2012.

Delta Faucet Company - 55 East 111th St. - Indianapolis, Indiana, USA 46280 - (317) 848-1812  
Delta Faucet Canada - 395 Matheson Blvd E - Mississauga, Ontario, Canada L4Z 2H2 - (905) 712-3030



**TECK<sup>®</sup>**  
COMMERCIAL

# Rigid/Swivel Optional Spouts

## SPECIFYING PROCEDURE FOR OPTIONAL RIGID/SWIVEL SPOUTS:

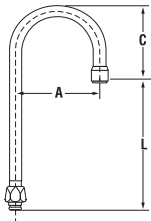
1. Select **BASE PRODUCT** with **Standard Gooseneck Spout**, and with spout outlet and handles required.
2. Select **Optional Rigid/Swivel Spout R OR LS-R** ("ADD-ON" Suffix Number)
3. Attach "ADD-ON" Suffix Number Spout selected to Base Product as a dash Suffix. (-R) or (-LS-R)

- EG: 1.** (1) **Base Product selected:** 23C644  
 (2) **Optional Spout selected:** LS-R7  
 (120° Limited swing, 9" bend gooseneck selected)  
 (3) **End Product Number to Specify:** 23C644-LS-R7
- EG: 2.** (1) **Base Product selected:** 27T3924  
 (2) **Optional Spout selected:** R7  
 (9" gooseneck spout selected)  
 (3) **End Product Number to Specify:** 27T3924-R7

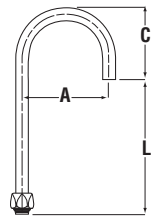
Note: Refer to BASE PRODUCT specification sheet for suffix availability.

Require a female aerator.

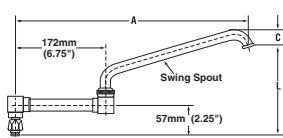
**GROUP NO. 1**  
Regular Gooseneck



**GROUP NO. 2**  
Smooth End-Flow Control in Base of Gooseneck Spout (Available on #7 outlets ONLY)



**GROUP NO. 5**  
Double Joint



SPOUT GROUP NUMBER	Rigid Swivel "ADD-ON" SUFFIX NUMBER	LIMITED SWING "ADD-ON" SUFFIX NUMBER Note 1	RIGID/SWIVEL SPOUT DESCRIPTION	"A"		"C"		"L"		Rigid Swivel RP Part Number ONLY	Limited Swing RP Part Number ONLY Note 1
				mm	in.	mm	in.	mm	in.		
1	R1	—	Gooseneck Spout*	89	3.5	51	2	173	6.8	063092A	N/A
	R2	LS-R2	Gooseneck Spout	114	4.5	104	4.1	170	6.7	063087A	063063A
	R3	LS-R3	Gooseneck Spout	152	6	124	4.9	56	2.2	063093A	063064A
	R4	LS-R4	Gooseneck Spout	152	6	124	4.9	146	5.8	063088A	063065A
	R5	LS-R5	Gooseneck Spout	152	6	124	4.9	188	7.4	063089A	063066A
	R6	LS-R6	Gooseneck Spout	152	6	124	4.9	229	9	063090A	063067A
	R7	LS-R7	Gooseneck Spout	229	9	163	6.4	170	6.7	063091A	063068A
	R8	LS-R8	Gooseneck Spout	229	9	163	6.4	348	13.7	063094A	063069A
	R35	LS-R35	Gooseneck Spout	152	6	124	4.9	94	3.7	063122A	063123A
2	R2	LS-R2	GN Spout w/Flow Cont.	114	4.5	97	3.8	178	7	060878A	063070A
	R3	LS-R3	GN Spout w/Flow Cont.	152	6	117	4.6	64	2.5	060876A	063071A
	R4	LS-R4	GN Spout w/Flow Cont.	152	6	117	4.6	152	6	060872A	063072A
	R5	LS-R5	GN Spout w/Flow Cont.	152	6	117	4.6	196	7.7	060873A	063073A
	R6	LS-R6	GN Spout w/Flow Cont.	152	6	117	4.6	236	9.3	060874A	063074A
	R7	LS-R7	GN Spout w/Flow Cont.	229	9	155	6.1	178	7	060875A	063075A
	R8	LS-R8	GN Spout w/Flow Cont.	229	9	155	6.1	356	14	060877A	063076A
	R35	LS-R35	GN Spout w/Flow Cont.	152	6	117	4.6	102	4	060540A	063077A
5	R16	—	Double Joint Spout	309	12.2	38	1.5	175	6.9	063015A**	N/A
	R17	—	Double Joint Spout	359	14.1	38	1.5	218	8.6	063015A**	N/A
	R18	—	Double Joint Spout	448	17.6	29	1.1	175	6.9	063015A**	N/A

\* R1 and the swing spouts portions of R16, R17 & R18 are brass tubular wall spouts. ALL other gooseneck spouts are made from .09 heavy wall seamless brass pipe.

\*\* 063015A is the spout base ONLY. See DSP-S/S for the swing spout mail order part number.

Note: Measurements may vary ± 6mm (0.25")

Refer to [www.specselect.com](http://www.specselect.com) for individual models.