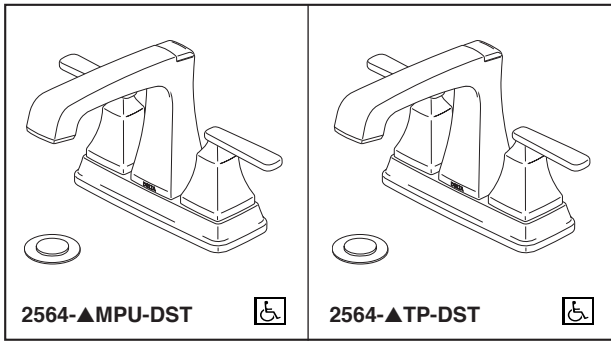




LAVATORY FAUCETS

- Ashlyn™ Bath Collection
- Two Handle Deck Mount
- 3 Hole Sink Applications
- 4" Centerset
- Diamond Seal® Technology



Submitted Model No.: _____
 Specific Features: _____

STANDARD SPECIFICATIONS:

- 4" (102 mm) centerset.
- 5 1/16" (129 mm) long, 5 9/16" (141 mm) high rigid spout.
- 1/4 turn handle stops.
- Lever handle. Control mechanism is a diamond embedded ceramic disc cartridge.
- Hot and cold stems are interchangeable.
- 3/8" O.D. straight pex supply tubes - 32" (813 mm) long.
- Models without "TP" suffix have metal drain with pop-up type fitting with plated flange and stopper.
- Models with "TP" suffix have polypropylene pop-up type drain fitting with plated metal flange and stopper cap.
- Maximum 1.5 gpm flowrate @ 60 PSI.
- Maximum mounting deck thickness is 2 1/4 (57 mm).

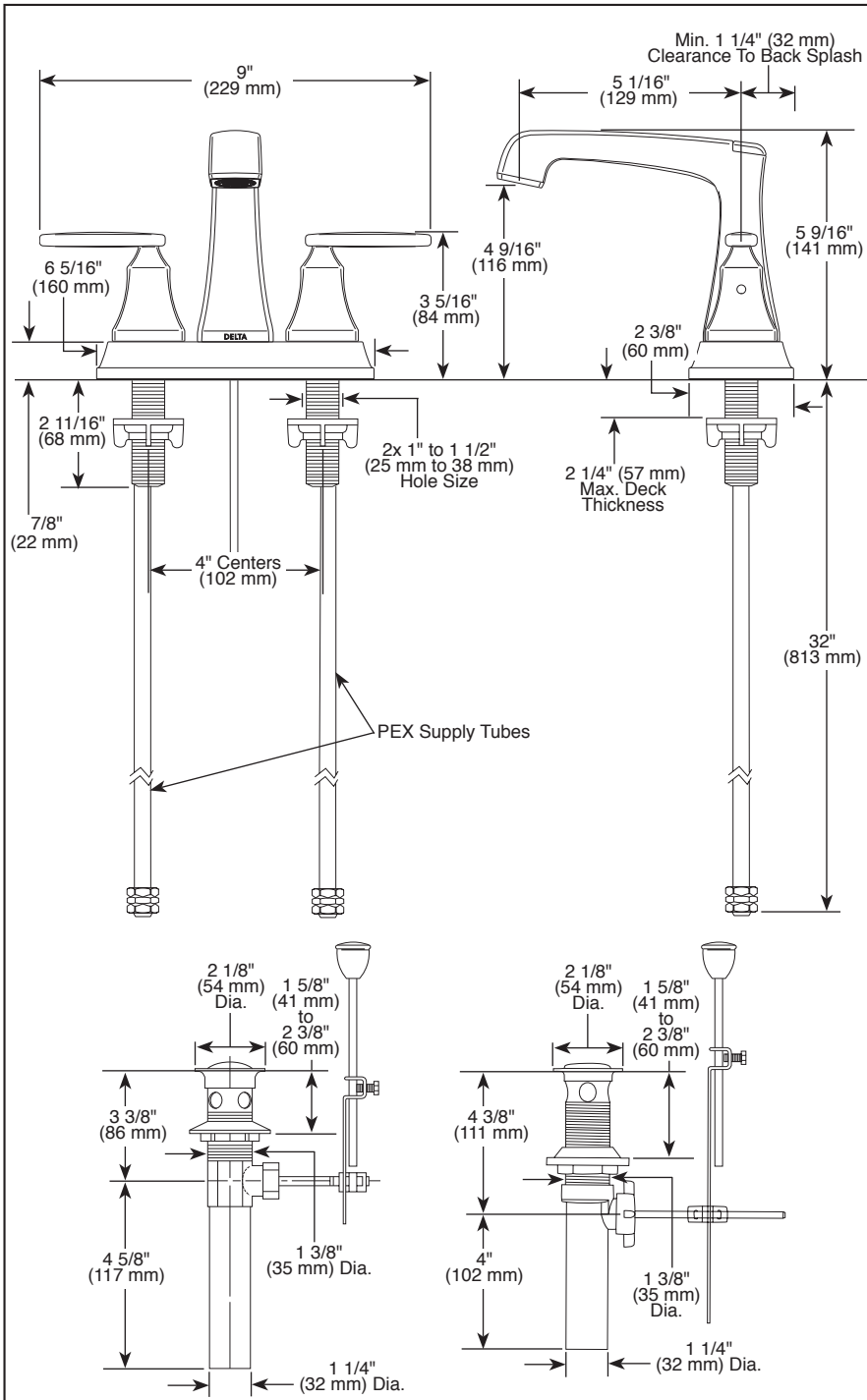
WARRANTY

- Lifetime limited warranty on parts (other than electronic parts and batteries) and finishes: or, for commercial users, for 5 years from date of purchase.
- 5 year limited warranty on electronic parts (other than batteries); or, for commercial users, for 1 year from the date of purchase. No warranty is provided on batteries.



COMPLIES WITH:

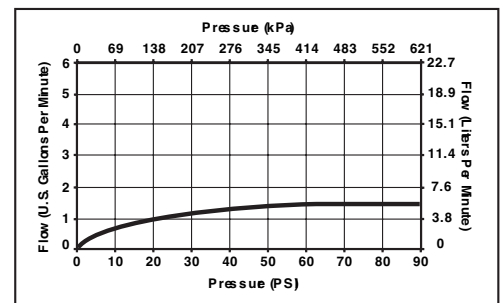
- ASME A112.18.1 / CSA B125.1
- ASME A112.18.2 / CSA B125.2
- Indicates compliance to ICC/ANSI A17.1
- EPA WaterSense®
- Verified compliant with .25% weighted average Pb content regulations.



▲ Designate Proper Finish Suffix

Delta reserves the right (1) to make changes in specifications and materials, and (2) to change or discontinue models, both without notice or obligation. Dimensions are for reference only. See current full-line price book or www.deltafaucet.com for finish options and product availability.

DSP-L-2564-MPU-DST Rev. A



55 E. 11th Street, Indianapolis, Indiana 46280
 350 South Edgeware Road, St. Thomas, ON N5P 4L1
 © 2014 Masco Corporation of Indiana