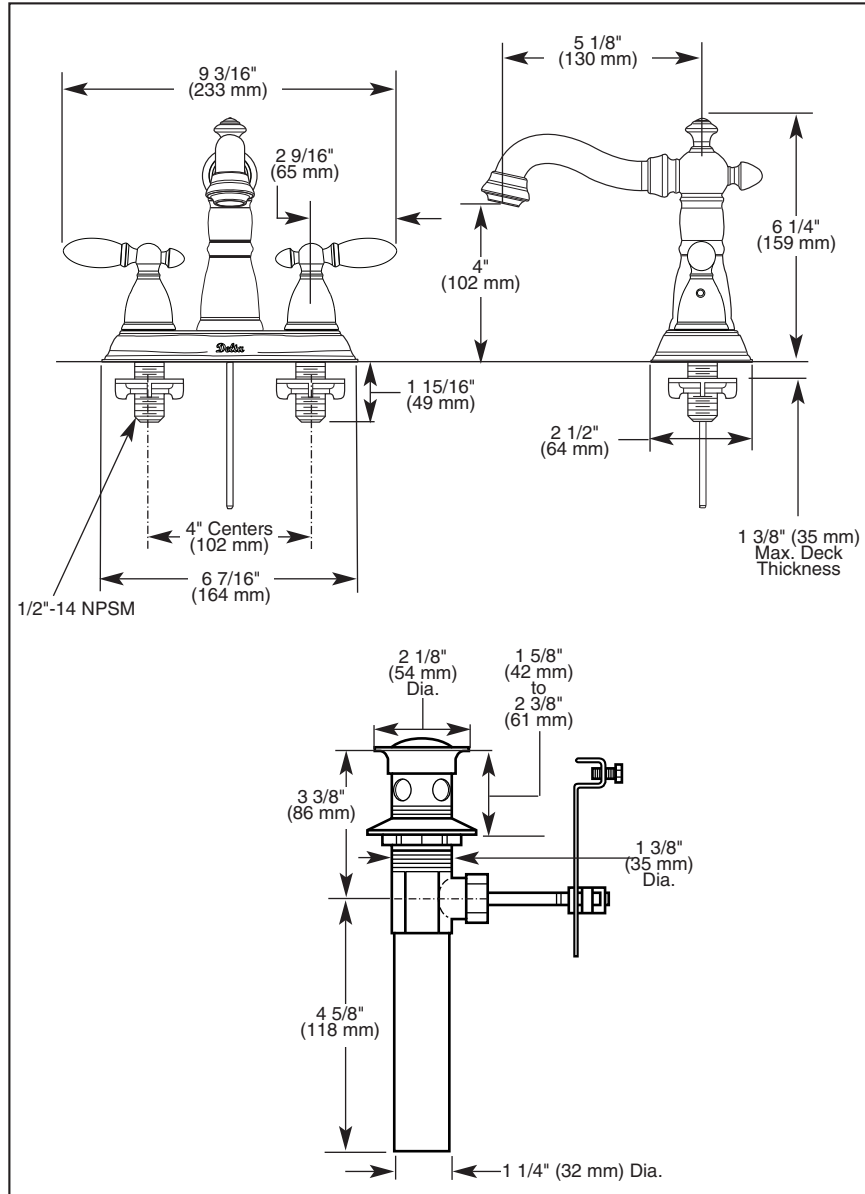


Submitted Model No.: \_\_\_\_\_

Specific Features: \_\_\_\_\_



## LAVATORY FAUCETS

- Victorian® Bath Collection
- Two Handle Deck Mount
- 3 Hole Sink Applications
- 4" Centerset

### STANDARD SPECIFICATIONS:

- Solid brass fabricated body.
- 4" (102 mm) centerset.
- 5 1/8" (130 mm) long, 6 1/4" (159 mm) high rigid spout.
- 1/4 turn handle stops.
- Hot and cold stems are interchangeable.
- Control mechanism is the rotating cylinder type with stainless steel plate and 180° rotation, with replaceable non-metallic seats operating in stainless steel lined sockets.
- 1/2"-14 NPSM threaded male inlet shanks.
- Models have metal drain with pop-up type fitting with plated flange and stopper.
- Maximum flow rate 1.5 gpm @ 60 PSI.

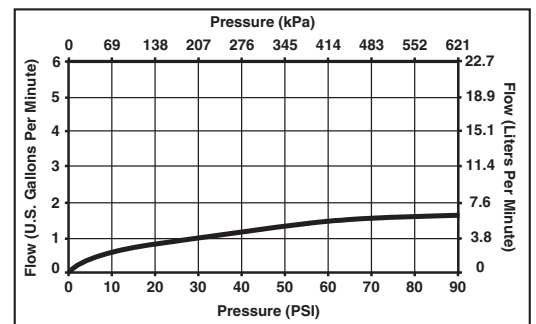
### WARRANTY

- Lifetime Faucet and Finish Limited Warranty to the original consumer purchaser to be free from defects in material and workmanship.
- 5 Year Limited Warranty for usage in all industrial, commercial and business applications.



### COMPLIES WITH:

- ASME A112.18.1 / CSA B125.1
- ASME A112.18.2 / CSA B125.2
- Indicates compliance to ICC/ANSI A117.1
- EPA Water Sense
- Verified to <0.25% Pb average wetted surface regulations



Delta reserves the right (1) to make changes in specifications and materials, and (2) to change or discontinue models, both without notice or obligation. Dimensions are for reference only. See current full-line price book or [www.specselect.com](http://www.specselect.com) for finish options and product availability.

DSP-L-2555LF-216 Rev. A

55 E. 111th Street, Indianapolis, Indiana 46280  
 395 Matheson Blvd. E., Mississauga, ON L4Z 2H2  
 © 2009 Masco Corporation of Indiana