



Lavatory Faucets

Widespread with CER-TECK® ceramic structures

Model No: 23C655

COMPLIES WITH:

- CSA certified.
- Complies to ASME A112.18.1/CSA B125.1
- Verified compliant with 0.25% weighted average Pb content regulations (Contact Delta Representative for State and/or Local Approvals)
- 152 mm (6") Wrist Blade Handle ADA compliant and meets Handicapped Accessibility Standard ICC/ANSI A117.1 of less than 5 lbs operating force



NOTES:

Verified compliant with 0.25% weighted average Pb content regulations

This COMPLETE SERIES is available as Compliant product as of Nov. 1, 2009.

The Product Numbers have NOT changed.

(Dimensional drawing on following page)

SPECIFICATION:

- Two handle widespread lavatory faucet
- 152 to 305 mm (6" to 12") adjustable centers
- Polished chrome plated finish trim
- Metal hold-down package
- CAST BRASS bodies
- Spout: R2 - Gooseneck spout-4.5" radius -Standard rigid/swivel field installation-Vandal resistant .090" wall thickness(R2)
- Outlet#: 5 - Vandal Resistant Non-Aerating Spray Outlet - 0.5 GPM (1.9 L/min) Flow Rate at 60 psi-pressure compensating
- Handle#: 5 - 152 mm (6") Wrist Blade Handles-ADA Compliant- Sanitary Hoods-Metal-Color indexed-Vandal resistant screws
- Heavy Duty Rigid/Swivel Inline (R2) Gooseneck Spout Less Pop-up

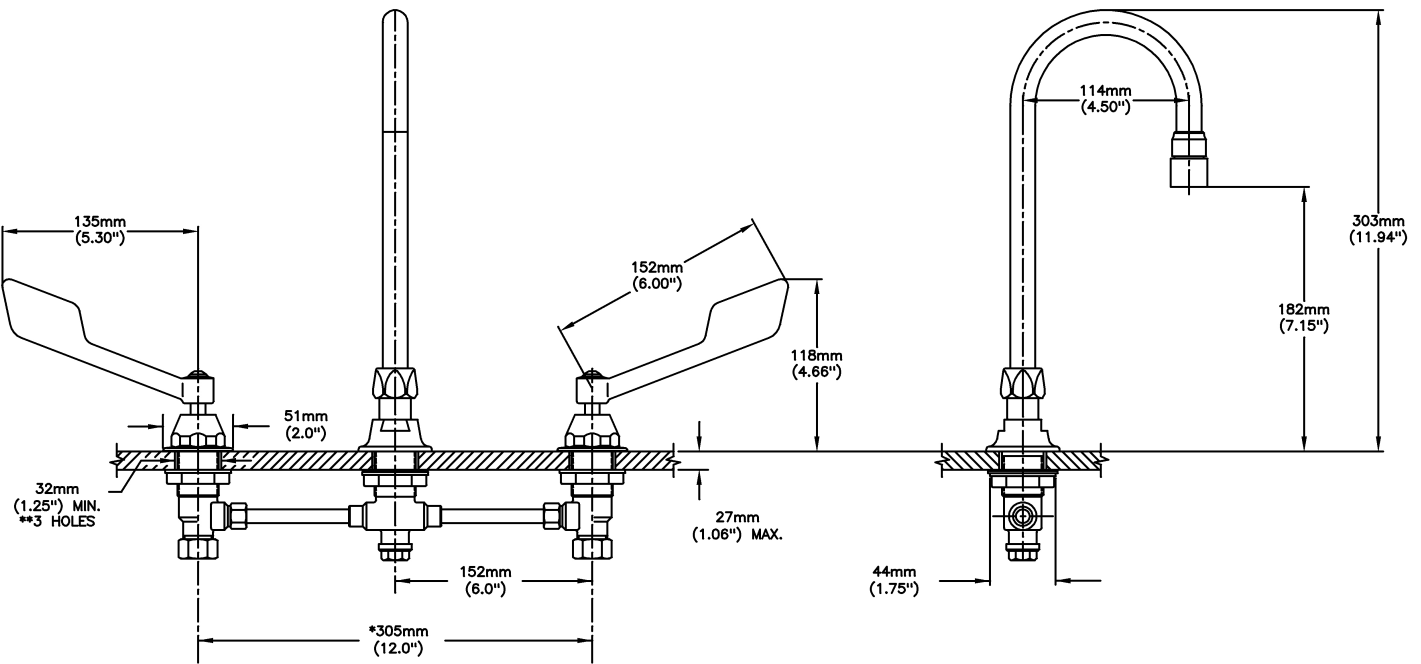
OPERATION:

- Not Available

Delta reserves the right (1) to make changes to specifications and materials, and (2) to change or discontinue models, both without notice or obligation. Dimensions are for reference. Measurement may vary plus or minus 6mm(0.25"). Mounting locations are suggested only. Check with local codes for requirements in your area. This spec was produced May 02, 2014.

Delta Faucet Company - 55 East 111th St. - Indianapolis, Indiana, USA 46280 - (317) 848-1812
Delta Faucet Canada - 395 Matheson Blvd E - Mississauga, Ontario, Canada L4Z 2H2 - (905) 712-3030

Model No: 23C655



* CAN BE CUT IN FIELD TO 152mm (6.0") MINIMUM

INLET FOR 3/8" OR 1/2" FLEXIBLE RISER
OR 1/2-14 NPSM COUPLING NUT (SUPPLIED)

Delta reserves the right (1) to make changes to specifications and materials, and (2) to change or discontinue models, both without notice or obligation. Dimensions are for reference. Measurement may vary plus or minus 6mm(0.25"). Mounting locations are suggested only. Check with local codes for requirements in your area. This spec was produced May 02, 2014.

Delta Faucet Company - 55 East 111th St. - Indianapolis, Indiana, USA 46280 - (317) 848-1812
Delta Faucet Canada - 395 Matheson Blvd E - Mississauga, Ontario, Canada L4Z 2H2 - (905) 712-3030