



Lavatory Faucets

Widespread with CER-TECK® ceramic structures

Model No: 23C644

COMPLIES WITH:

- CSA certified
- Complies to ASME A112.18.1/CSA B125.1
- Verified compliant with 0.25% weighted average Pb content regulations
- Verified compliant with 0.25% weighted average Pb content regulations
- ♿ Indicates compliance to ICC/ANSI A117.1
- Outlet options 2, 3, 4 and 7 are EPA WaterSense listed
- (Contact Delta Representative for State and/or Local Approvals)



SPECIFICATION:

- Two handle widespread lavatory faucet
- 152 to 305mm (6" to 12") adjustable centers
- Polished chrome plated finish trim
- CAST BRASS bodies
- 4 1/2" CAST BRASS spout or 3/8" IPS BRASS PIPE Rigid/Swivel Gooseneck Spout
- Metal hold-down package
- Color indexed metal handles with vandal resistant screws
- CER-TECK® 1/4 turn ceramic structures
- Widespread with CER-TECK® ceramic structures
- Spout: R2 - Gooseneck spout-4.5" radius -Standard rigid/swivel field installation-Vandal resistant .090" wall thickness(R2)
- Outlet#: 4 - Standard 1.5 GPM (5.7 L/Min) Flow Control Aerator
- Handle#: 4 - 102 mm (4") Blade Handles- ADA Compliant-Sanitary Hoods-Metal-Color indexed-Vandal resistant screws
- Heavy Duty Rigid/Swivel Inline (R2) Gooseneck Spout Less Pop-up

OPERATION:

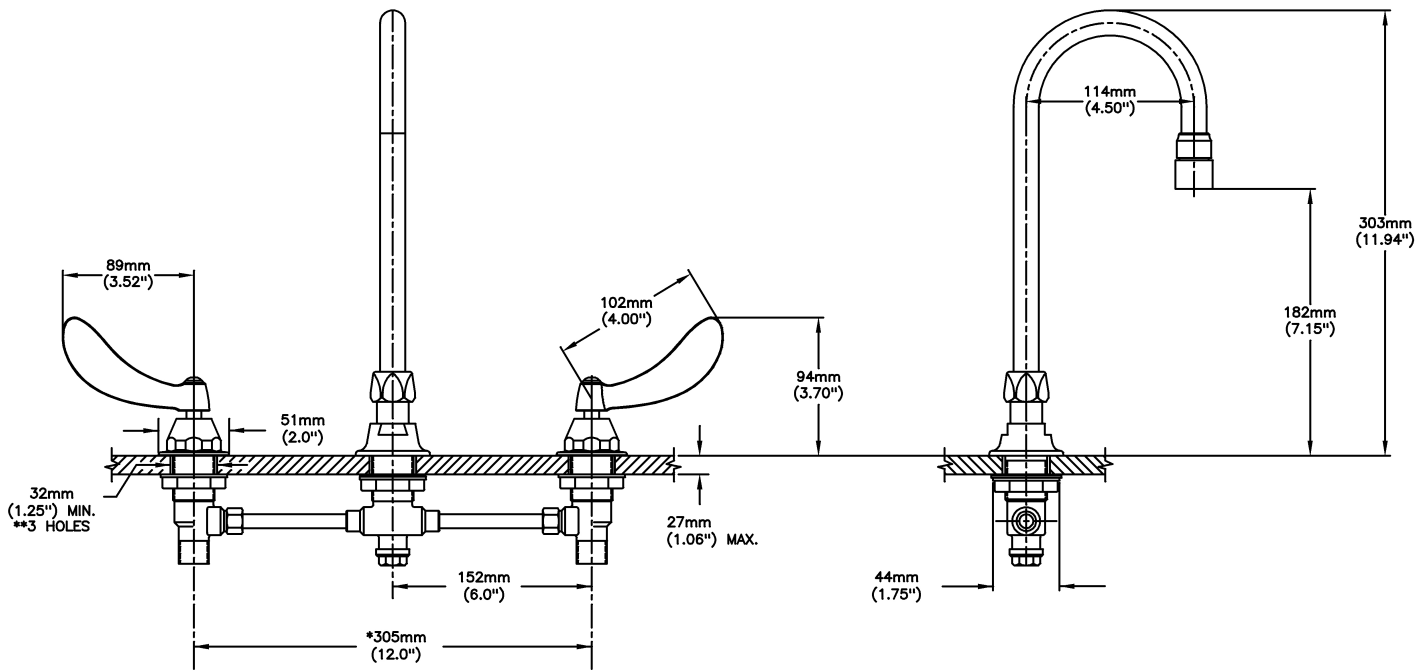
- Not Available

(Dimensional drawing on following page)

Delta reserves the right (1) to make changes to specifications and materials, and (2) to change or discontinue models, both without notice or obligation. Dimensions are for reference. Measurement may vary plus or minus 6mm(0.25"). Mounting locations are suggested only. Check with local codes for requirements in your area. This spec was produced January 09, 2015.

Delta Faucet Company - 55 East 111th St. - Indianapolis, Indiana, USA 46280 - (317) 848-1812
Delta Faucet Canada - 395 Matheson Blvd E - Mississauga, Ontario, Canada L4Z 2H2 - (905) 712-3030

Model No: 23C644



* CAN BE CUT IN FIELD TO 152mm (6.0") MINIMUM

INLET FOR 3/8" OR 1/2" FLEXIBLE RISER
OR 1/2-14 NPSM COUPLING NUT (NOT SUPPLIED)

Delta reserves the right (1) to make changes to specifications and materials, and (2) to change or discontinue models, both without notice or obligation. Dimensions are for reference. Measurement may vary plus or minus 6mm(0.25"). Mounting locations are suggested only. Check with local codes for requirements in your area. This spec was produced January 09, 2015.

Delta Faucet Company - 55 East 111th St. - Indianapolis, Indiana, USA 46280 - (317) 848-1812
Delta Faucet Canada - 395 Matheson Blvd E - Mississauga, Ontario, Canada L4Z 2H2 - (905) 712-3030

Widespread Lavatory Faucets 6"-12" Centers

TECK®
COMMERCIAL



Specification: (example)

- Two handle widespread lavatory faucet
 - 152 to 305mm (6" to 12") adjustable centers
 - Polished chrome plated finish trim
 - **CAST BRASS** bodies
 - 4 1/2" **CAST BRASS** spout or 3/8" IPS **BRASS PIPE** Rigid/Swivel Gooseneck Spout
 - Metal hold-down package
 - Color indexed metal handles with vandal resistant screws
 - **CER-TECK®** 1/4 turn ceramic structures
- and ... with ... (add product variation required)
 with ... (add outlet required)
 with ... (add handle required)
 with ... (add suffix **-LS** if required – See Back Page)
 with ... (add suffix **-TI** if required – See Back Page)

23C334



23C644



Engineer/Architect Approval












Model Specified:

Approval:

Date:

DESCRIPTION	PRODUCT NO.
Widespread Lavatory Faucet	23C



PRODUCT VARIATION	OUTLET	HANDLE
0 <input type="checkbox"/>	0 <input type="checkbox"/>	0 <input type="checkbox"/>
1 <input type="checkbox"/>	1 <input type="checkbox"/>	1 <input type="checkbox"/>
2 <input type="checkbox"/>	2 Vandal Resistant 1.5 gpm (5.7 L/min.) Laminar w/Agion® Antimicrobial  <input type="checkbox"/>	2 102mm (4") Hooded Blade Handles (4)  <input type="checkbox"/>
3 Cast Spout Less Pop-up (No Pop-up Hole)  <input type="checkbox"/>	3 Vandal Resistant 1.5 gpm (5.7 L/min.) Flow Control Aerator  <input type="checkbox"/>	3 76mm (3") Hooded Lever Handles (4)  <input type="checkbox"/>
4 <input type="checkbox"/>	4 Standard 1.5 gpm (5.7 L/min.) Flow Control Aerator  <input type="checkbox"/>	4 102mm (4") Blade Handles, Sanitary Hoods (4)  <input type="checkbox"/>
5 <input type="checkbox"/>	5 Vandal Resistant 0.5 gpm (1.9 L/min.) Flow Control Non-Aerating Spray Outlet  <input type="checkbox"/>	5 152mm (6") Wrist Handles, Sanitary Hoods  <input type="checkbox"/>
6 Heavy Duty Rigid/Swivel Inline (R2) Gooseneck Spout Less Pop-up (1) (3)  <input type="checkbox"/>	6 <input type="checkbox"/>	6 <input type="checkbox"/>
7 <input type="checkbox"/>	7 Smooth End, Laminar Flow Control in Base of Gooseneck Spout 1.0 gpm (3.8 L/min.) (2)  <input type="checkbox"/>	7 <input type="checkbox"/>
8 <input type="checkbox"/>	8 <input type="checkbox"/>	8 <input type="checkbox"/>
9 <input type="checkbox"/>	9 <input type="checkbox"/>	9 <input type="checkbox"/>

(1) Available **Optional Rigid/Swivel Spouts**. These spouts can ONLY be added to **BASIC PRODUCT Option No. 6**.

(2) This outlet can ONLY be added to **BASIC PRODUCT Option No. 6**. (3) 120° Limited Swing Spout available. Add Suffix **-LS**. (4) H & C Temperature Indicator available. Add suffix **-TI**.

Refer to www.specselect.com for individual models.

Delta reserves the right (1) to make changes in specifications and materials, and (2) to change or discontinue models, both without notice or obligation. Dimensions are for reference only. See current full-line price book or www.specselect.com for finish options and product availability.

Flow Rates are at 60 PSI.

Note: Use this page front and back as a product submittal sheet.



TECK®
COMMERCIAL

Widespread Lavatory Faucets 6"-12" Centers

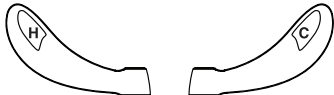
Approvals:

- CSA certified
- Complies to ASME A112.18.1/CSA B125.1
- Handles No. 2, 3, 4, and 5
Indicates compliance to ICC/ANSI A117.1
- Outlet options 2, 3, 4 and 7 are EPA WaterSense listed
- Verified compliant with 0.25% weighted average Pb content regulations

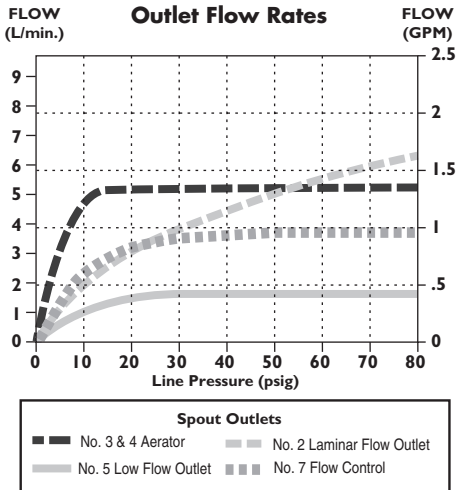
(Contact Delta Representative for State and/or Local Approvals.)

HANDLE TEMPERATURE INDICATORS

- Add suffix **"-TI"** to Product Number for handle temperature indicators "H" (red), "C" (blue). Available on handle options 2, 3 or 4 only.



FLOW RATE vs PRESSURE

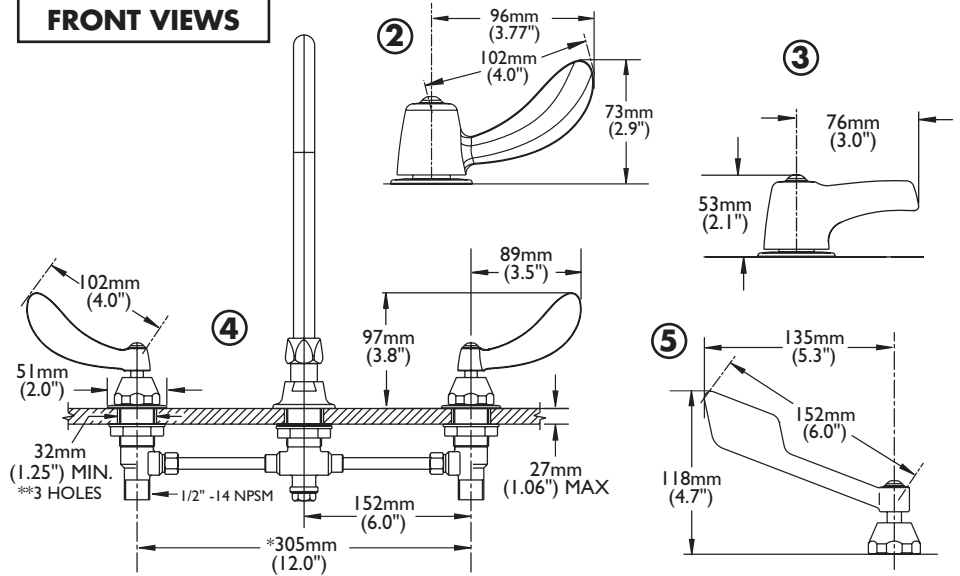


OUTLET NO.	GOOSENECK SPOUT "D"		CAST SPOUT "D"	
	mm	in.	mm	in.
2	18	0.69	11	0.45
3	18	0.69	11	0.45
4	17	0.67	11	0.45
5	18	0.69	11	0.45

LIMITED SWING GOOSENECK

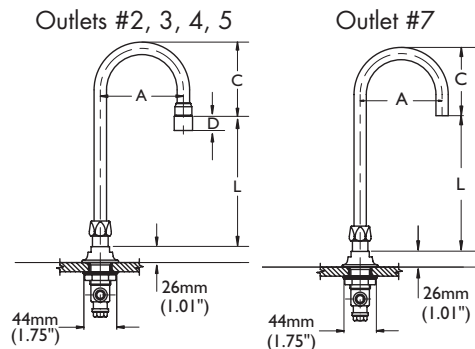
- Add suffix **"-LS"** to Product Number for 120° Limited Swing – Available on #6 Product Variation ONLY

FRONT VIEWS



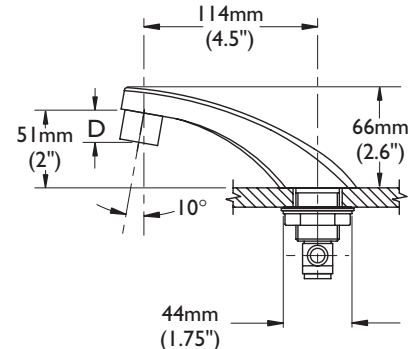
* CAN BE CUT IN FIELD TO 152mm (6.0") MINIMUM INLET FOR 3/8" OR 1/2" FLEXIBLE RISER OR 1/2-14 NPSM COUPLING NUT (NOT SUPPLIED)

GOOSENECK SPOUT #6



**Spout hole 38mm (1.5") maximum diameter.

CAST SPOUT



FOR OPTIONAL RIGID/SWIVEL & LIMITED SWING SPOUTS

See DSP-R/S for detailed specification

GOOSENECK SPOUT ASSEMBLIES

SPOUT/OUTLET	"A"		"C"		"L"	
	mm	in.	mm	in.	mm	in.
Gooseneck-Standard (R2) for outlets #2, 3, 4, 5	114	4.5	104	4.1	170	6.7
Gooseneck-Standard (R2) for outlet #7	114	4.5	97	3.8	178	7.0

Note: Measurements may vary ± 6mm (0.25")

Refer to www.specselect.com for individual models.

Note: Use this page front and back as a product submittal sheet.