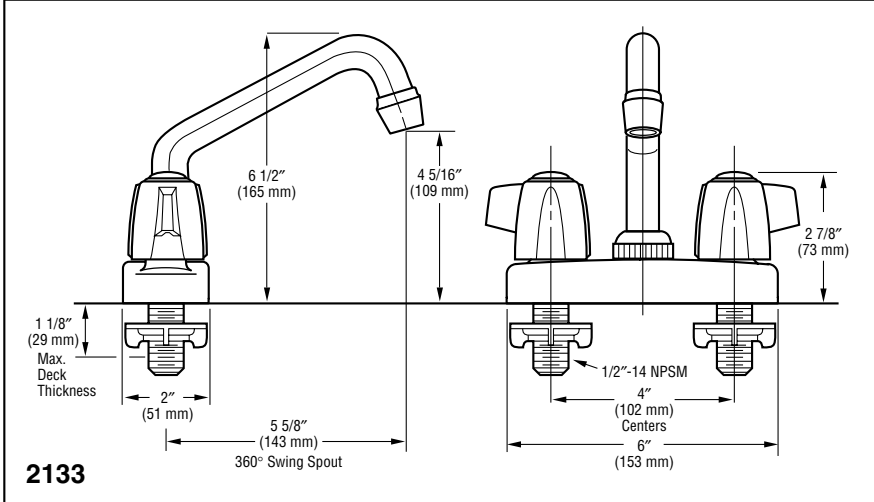
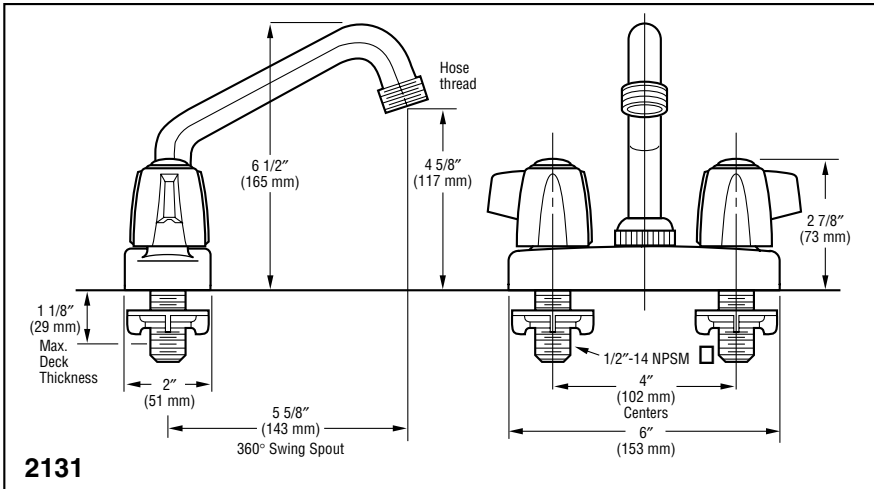


Submitted Model No.: \_\_\_\_\_

Specific Features: \_\_\_\_\_



# DELTA<sup>®</sup>

## SPECIALTY FAUCETS

- Two Handle Laundry Faucet
- Deck Mount
- 2 Hole Sink Applications
- 4" (102 mm) Centerset

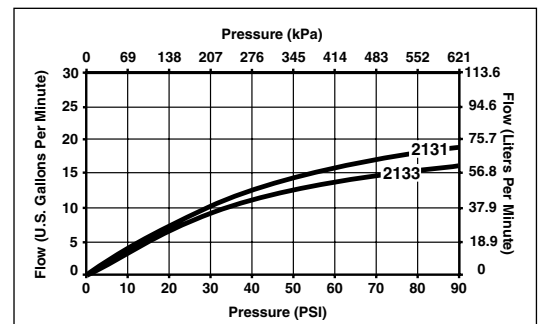


### COMPLIES WITH:

- ASME A112.18.1-2000
- CSA B125-98
- Indicates ADA compliance to ICC/ANSI A117.1-1998
- CSA Certified

### STANDARD SPECIFICATIONS:

- Two handle deck faucets for exposed mounting on 2 hole sinks.
- Solid brass fabricated body.
- 4" (102 mm) Centerset.
- 5 5/8" (143 mm) long, 6 1/2" (165 mm) high spout swings 360°.
- Hot and cold stems are interchangeable.
- Control mechanism shall be of the rotating cylinder type with stainless steel plate and 180° rotation, with replaceable non-metallic seats operating in stainless steel lined sockets.
- 1/2"-14 NPSM threaded male shanks.
- Trap seal primer plug.



Delta reserves the right (1) to make changes in specifications and materials, and (2) to change or discontinue models, both without notice or obligation. Dimensions are for reference only.

<b>Standard Features</b>	<b>2131</b>	<b>2133</b>
Washerless	◆	◆
½"-14 NPSM Threaded Male Inlet Shanks	◆	◆
Blade Handles	♿	♿
Hose Threaded Swing Spout	◆	
Stream Straightener Without Hose Thread		◆
⅛" Trap Seal Primer Plug*	◆	◆
Chrome Finish	◆	◆

\* Plug can be removed to attach a line which will enable floor drain trap to be refilled every time faucet is used.

**Available Options for Field Conversion:**

- Vacuum breaker for use with Model 2131. Order RP25695.



Indianapolis, Indiana 46280  
A Division of Masco Corporation of Indiana  
© 2001 Masco Corporation of Indiana