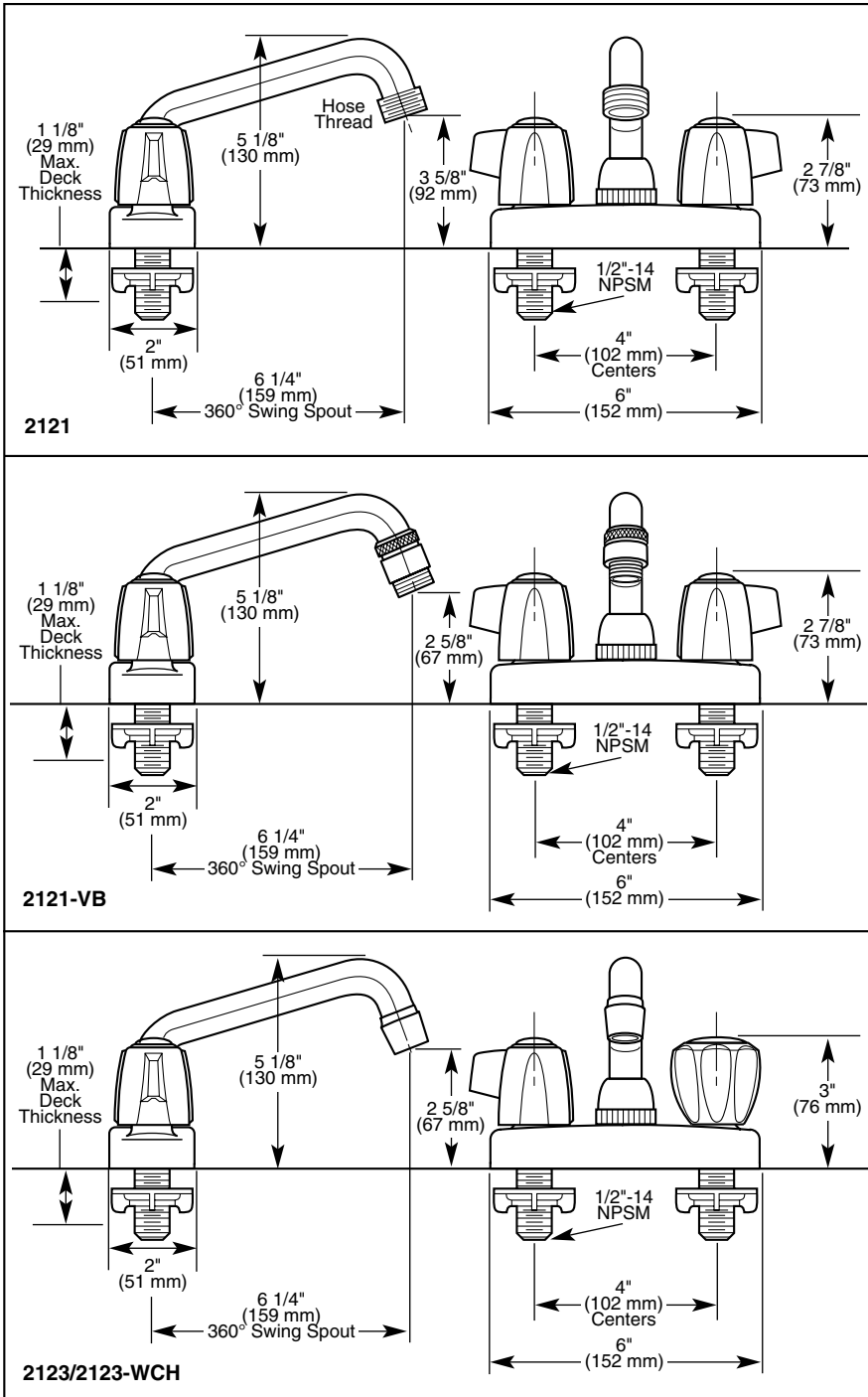


Submitted Model No.: _____

Specific Features: _____



DELTA[®]

SPECIALTY FAUCETS

- Two Handle Laundry Faucet
- Deck Mount
- 2 Hole Sink Applications
- 4" (102 mm) Centerset



UL Listed to US and Canadian Safety Standards 21PL

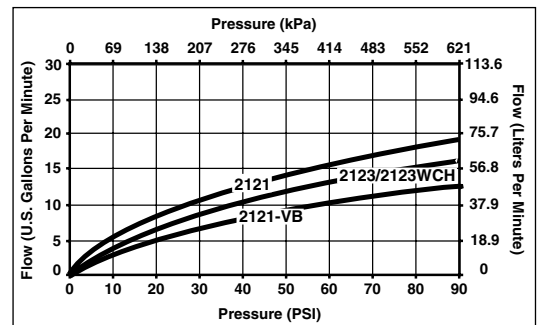


COMPLIES WITH:

- ASME A112.18.1-2000
- CSA B125-98
- Indicates ADA compliance to ICC/ANSI A117.1-1998
- IAPMO Listed
- CSA Certified

STANDARD SPECIFICATIONS:

- Two handle deck faucets for exposed mounting on 2 hole sinks.
- Solid brass fabricated body.
- 4" (102 mm) centerset.
- 6 1/4" (159 mm) long, 5 1/8" (130 mm) high spout swings 360°.
- Hot and cold stems are interchangeable.
- Control mechanism shall be of the rotating cylinder type with stainless steel plate and 180° rotation, with replaceable non-metallic seats operating in stainless steel lined sockets.
- 1/2"-14 NPSM threaded male shanks.
- Trap seal primer plug.



Delta reserves the right (1) to make changes in specifications and materials, and (2) to change or discontinue models, both without notice or obligation. Dimensions are for reference only.

Standard Features	2121	2121-VB	2123	2132-WCH
Washerless	◆	◆	◆	◆
Two or Three Hole Installation	◆	◆	◆	◆
4" (102 mm) Centerset	◆	◆	◆	◆
6 1/4" (159 mm) Long, 5 1/8" (130 mm) High Spout Swings 360°	◆	◆	◆	◆
Clear Knob Handles with Red/Blue Indicators				◆
Blade Handles	♿	♿	♿	
Hose Threaded Swing Spout	◆	◆		
Hose Threaded Vacuum Breaker		◆		
Stream Straightener Without Hose Thread			◆	◆
1/2"-14 NPSM Threaded Male Inlet Shanks	◆	◆	◆	◆
1/8" Trap Seal Primer Plug*	◆	◆	◆	◆
Chrome Finish	◆	◆	◆	◆

*Plug can be removed to attach a line which will enable floor drain trap to be refilled everytime faucet is used.

Available Options for Field Conversion:

- Vacuum breaker for use with Model 2121. Order RP25695.



Indianapolis, Indiana 46280
A Division of Masco Corporation of Indiana
© 2001 Masco Corporation of Indiana